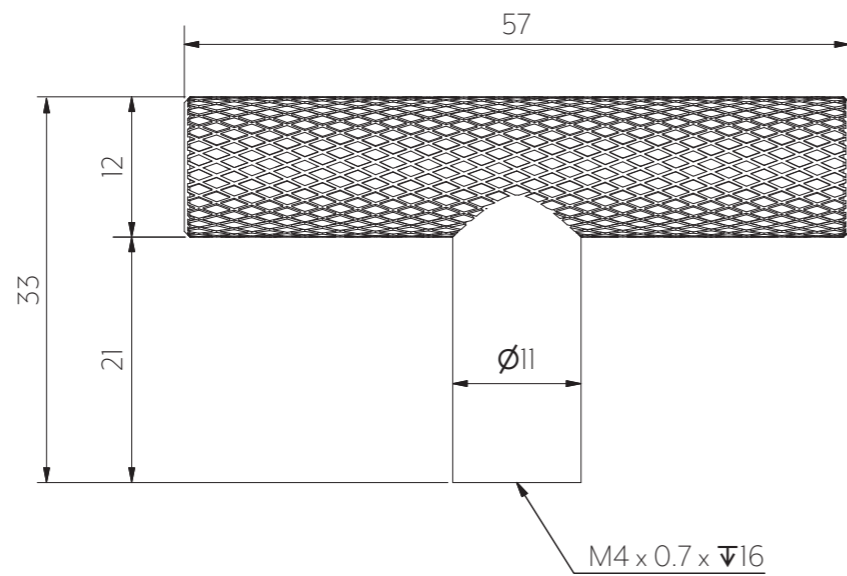


Side View (2:1)



Top View (2:1)

**Note:** Dimensions are nominal measurements only

## SPECIFICATIONS

<b>RECOMMENDED USE</b>	Domestic
<b>MATERIAL</b>	Solid Brass
<b>MOUNTING HARDWARE INCLUDED</b>	Yes
<b>SCREW/ BOLT TYPE</b>	M4 x 15-45mm Snap-off bolts (philips head)

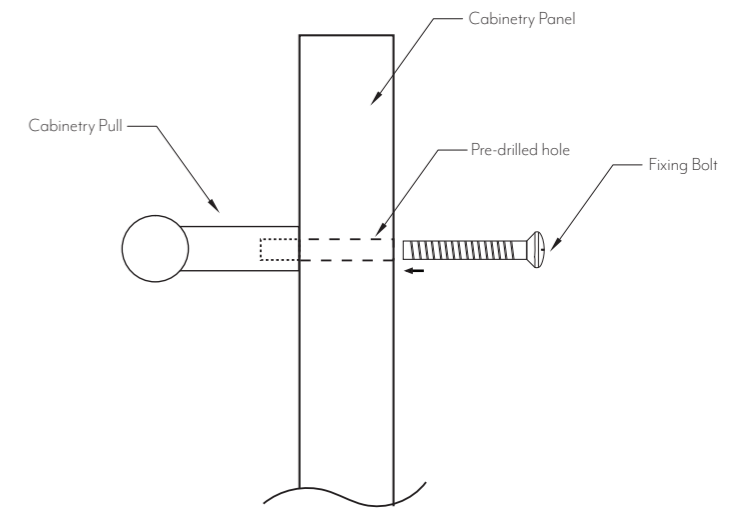
Disclaimer: Products in this manual must by law be installed by licensed and registered tradespeople in accordance with the relevant standards. ABI and the manufacturer/distributor reserve the right to vary specifications or delete models from their range without prior notification. Dimensions are nominal measurements only. The information listed is correct at the time of publication, however ABI and the manufacturer/distributor takes no responsibility for printing errors. Copyright © ABI Interiors 2021.

## INSTALLATION GUIDE

**Note:** This product must be installed by a licensed tradesperson. This is a general installation guide - there are many factors that are involved that can alter the installation method.

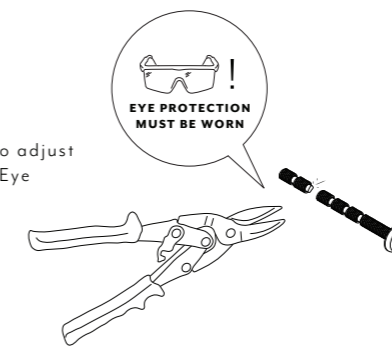
### INSTALLATION PROCEDURE

1. Determine the position of the cabinetry pull.
2. Use the tape measure to find the center of the cabinetry panel (if you are installing only one pull), or divide your cabinetry panel into quarters or a placement you prefer (if you are installing two pulls on the cabinetry panel).
3. Use the pencil to mark the centre of the holes
4. Drill out the centre of marked holes with a smaller drill bit first. e.g. 2.5mm.
5. Use the level to make sure that the holes are aligned. Adjust the markings, if needed. Then drill correct size hole of 4mm.
6. Mount the pull to the cabinetry and use the screw driver to tighten the bolt.



### Snap Off Bolts

Use a pair of tin snips or pliers to adjust the length of your bolt/s. **Note:** Eye protection must be worn!



### TOOLS AND MATERIALS



PENCIL



TAPE MEASURE



DRILL



LEVEL



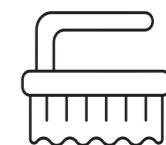
SCREW DRIVER



Regularly clean with mild liquid detergent or soap and water



DO NOT use cream cleaners or bleach. These substances are abrasive



DO NOT use cleaning pads with abrasive surfaces as this may scratch the material