

**Note:** Dimensions are nominal measurements only

## SPECIFICATIONS

### RECOMMENDED USE

Domestic / Commercial

### MATERIAL

Stainless Steel 304

### MOUNTING HARDWARE INCLUDED

Yes

### INSTALLATION

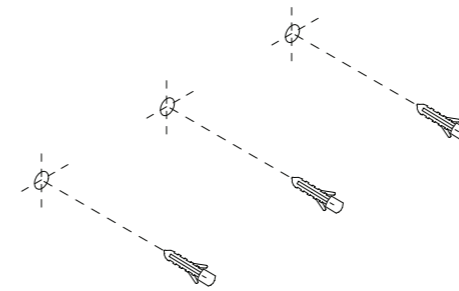
Philips head 40mm + Wall plugs

Disclaimer: Products in this specification manual must by regulation be installed by licensed and registered trade people. The manufacturer/distributor reserves the right to vary specifications or delete models from their range without prior notification. Dimensions are nominal measurements only. Dimensions and set-outs listed are correct at time of publication however the manufacturer/distributor takes no responsibility for printing errors. All ABI Products are designed in Australia. Copyright ABI Interiors Pty Ltd 2021.

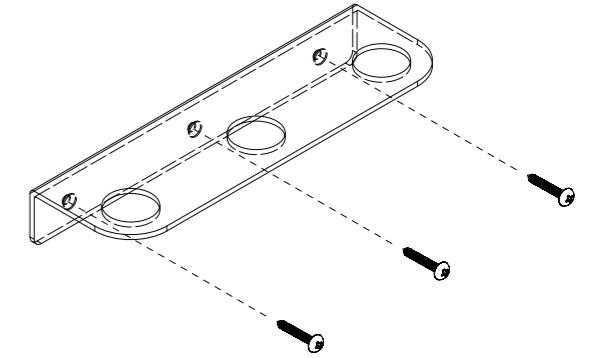
## INSTALLATION GUIDE

Note: This product must be installed by a licensed tradesperson. This is a general installation guide - there are many factors that are involved that can alter the installation method. ABI takes no responsibility if your product is not secured to adequate wall structure.

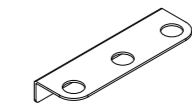
- 1 Mark out the desired position for the soap holder. Drill holes the holes and insert wall plugs.



- 2 Fix soap holder to the wall



## IN THE BOX



1x Lira Triple



3x Screw



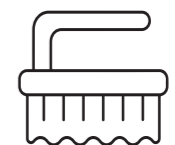
3x Wall Plug



Regularly clean with mild liquid detergent or soap and water



DO NOT use cream cleaners or bleach. These substances are abrasive



DO NOT use cleaning pads with abrasive surfaces as this may scratch the material