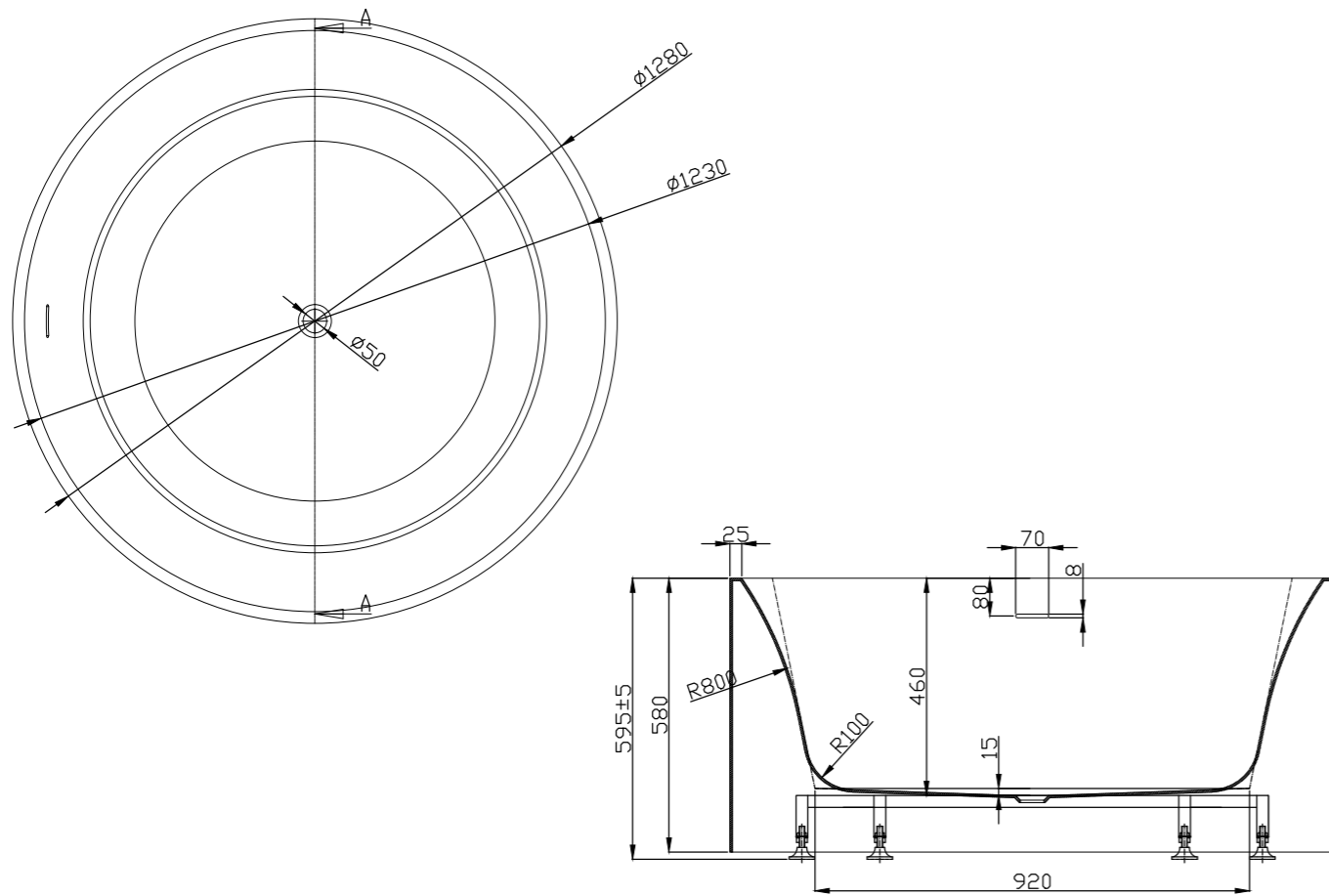


UKIYO ACRYLIC ROUND BATH



SPECIFICATIONS

RECOMMENDED USE

Domestic

COLOUR AVAILABILITY



MATERIAL

Acrylic - Matte White

DIMENSION

Diameter 1280mm | Height 600mm
Internal Depth: 460mm

WEIGHT

44kg

CAPACITY

334 Litres

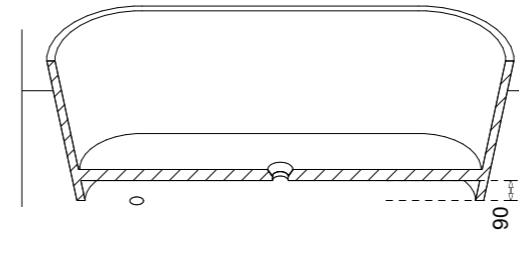
OVERFLOW

Yes

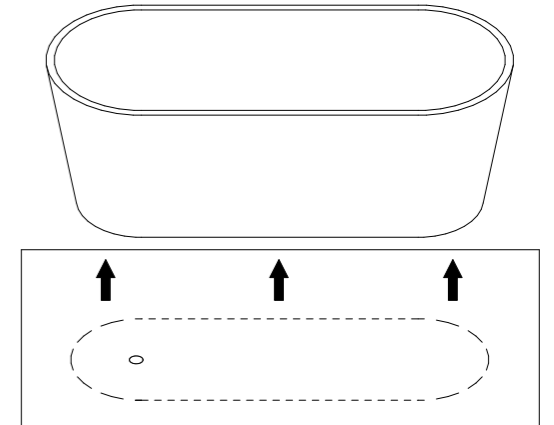
GENERAL BATH INSTALLATION GUIDE

Note: This product must be installed by a licensed trade
This is a general installation guide - there are many factors that are involved that can alter the installation method.

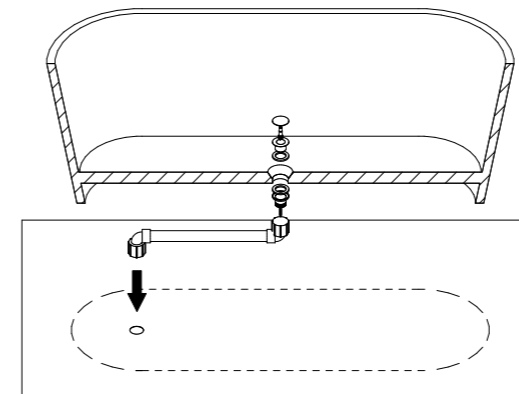
1 Allow for 90mm clearance from the underside of bath to floor.



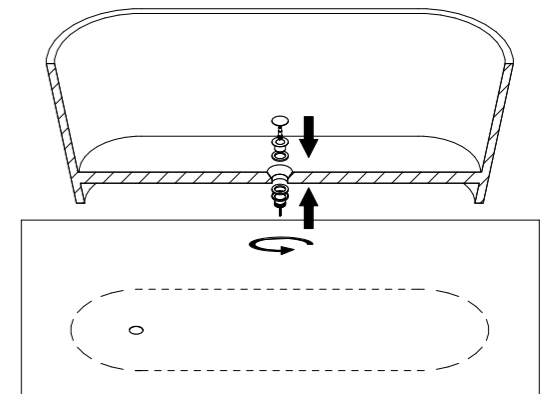
2 Mark position of bath to determine length of drainage from floor waste to bath outlet.



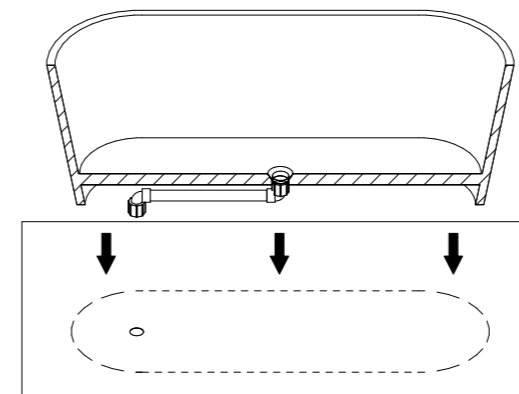
3 Plan out drainage connection to floor waste & alter if necessary.



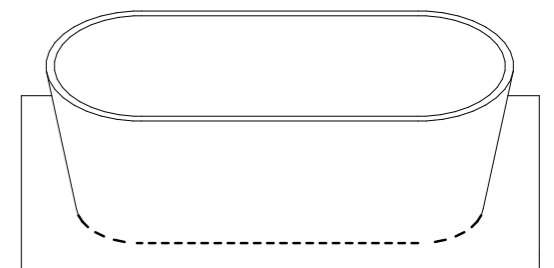
4 Fit plug waste into bath outlet, seal & tighten as required.



5 Fit out drainage connection to underside of bath. Position bath & connect drainage to floor waste.



6 Silicone around base of bath if necessary.



Regularly clean with mild liquid detergent or soap and water



DO NOT use cream cleaners or bleach. These substances are abrasive



DO NOT use cleaning pads with abrasive surfaces as this may scratch the material