

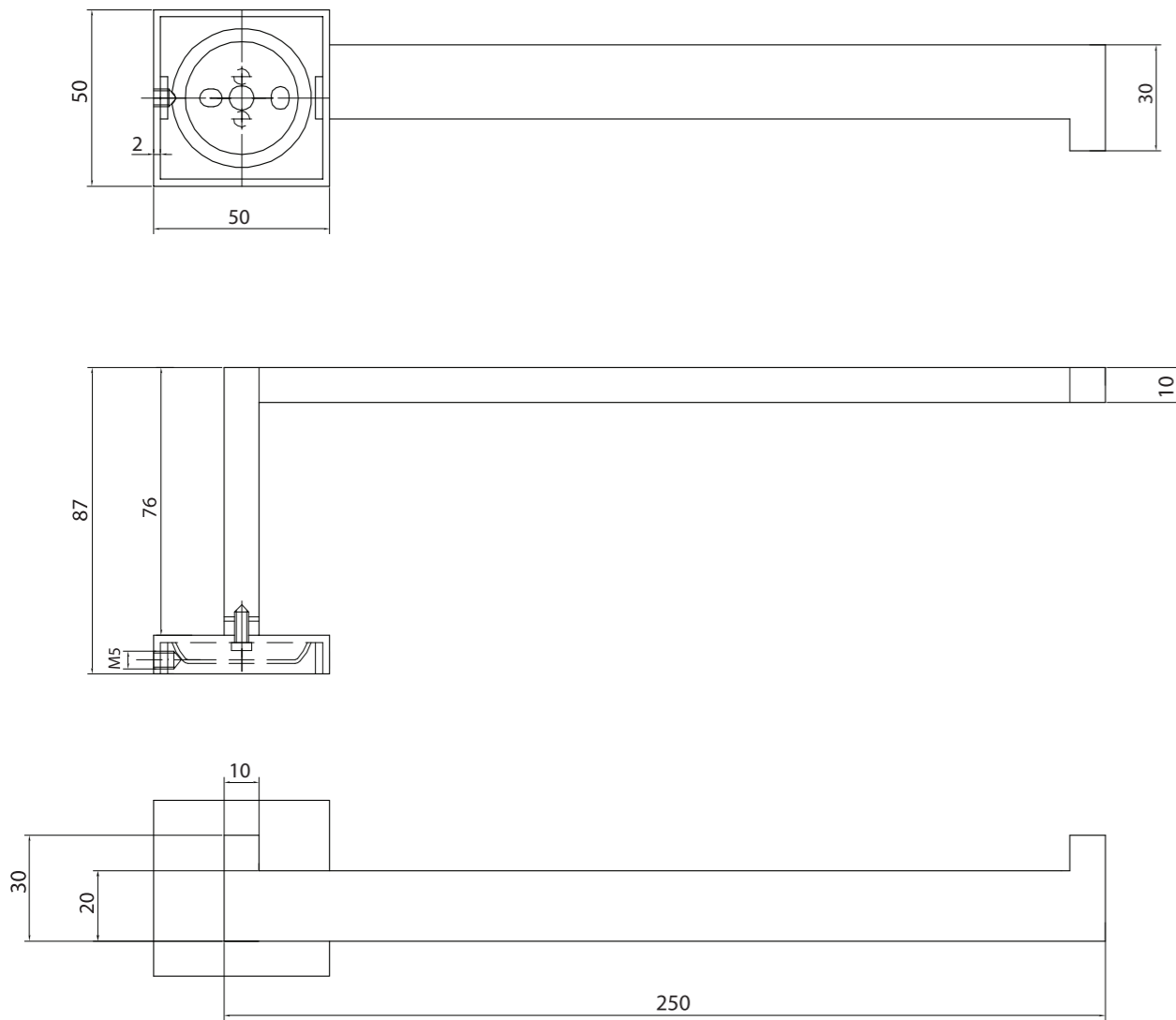


VAADA HAND TOWEL RAIL



VAADA HAND TOWEL RAIL

INSTALLATION MANUAL



Note: Dimensions are nominal measurements only

SPECIFICATIONS

RECOMMENDED USE

Domestic

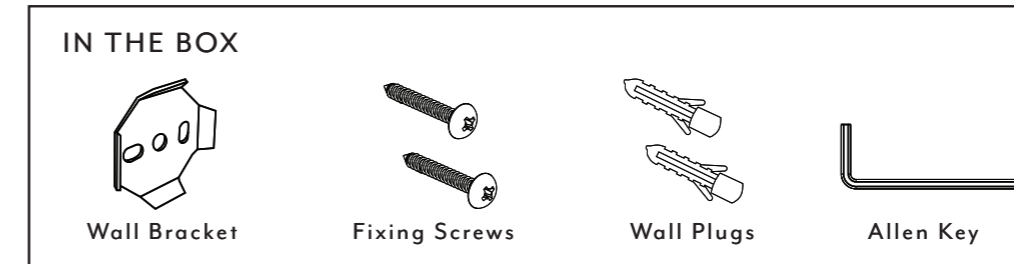
MATERIAL

Stainless Steel

WARRANTY

Structure: 10 years | Finish: 5 years

Disclaimer: Products in this specification manual must by regulation be installed by licensed and registered trade people. The manufacturer/distributor reserves the right to vary specifications or delete models from their range without prior notification. Dimensions are nominal measurements only. Dimensions and set-outs listed are correct at time of publication however the manufacturer/distributor takes no responsibility for printing errors. All ABI Products are designed in Australia. Copyright ABI Interiors 2019.

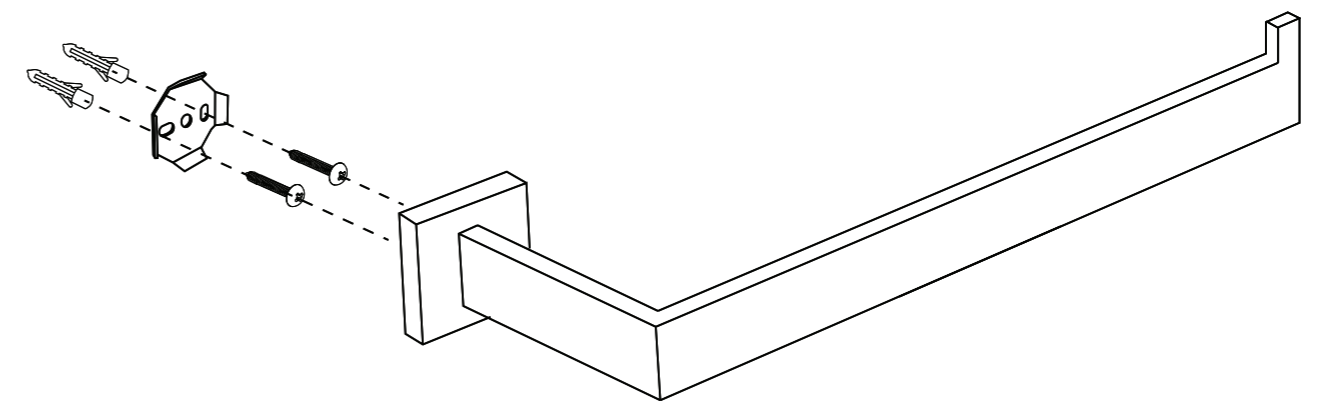


STEP ONE: Drill holes in desired position and insert wall plugs

STEP TWO: Remove brackets from the Hand Towel Holder using the allen key to loosen the grub screw. Install brackets by fastening the supplied screws into the wall plugs

STEP THREE: Place the Hand Towel Holder onto the bracket and firmly tighten grub screw using allen key

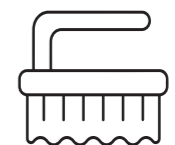
IMPORTANT - If installing onto plasterboard please use appropriate fixings



Regularly clean with mild liquid detergent or soap and water



DO NOT use cream cleaners or bleach. These substances are abrasive



DO NOT use cleaning pads with abrasive surfaces as this may scratch the material