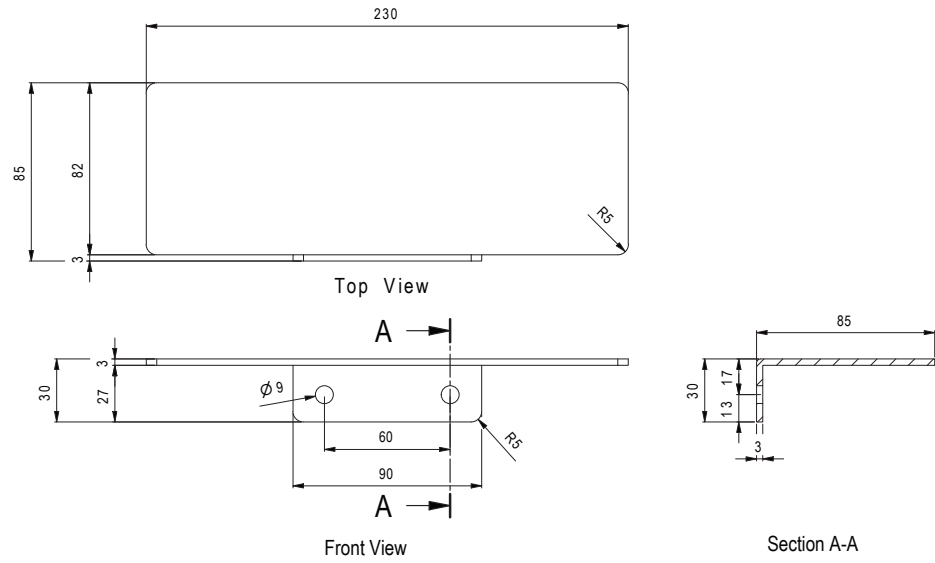
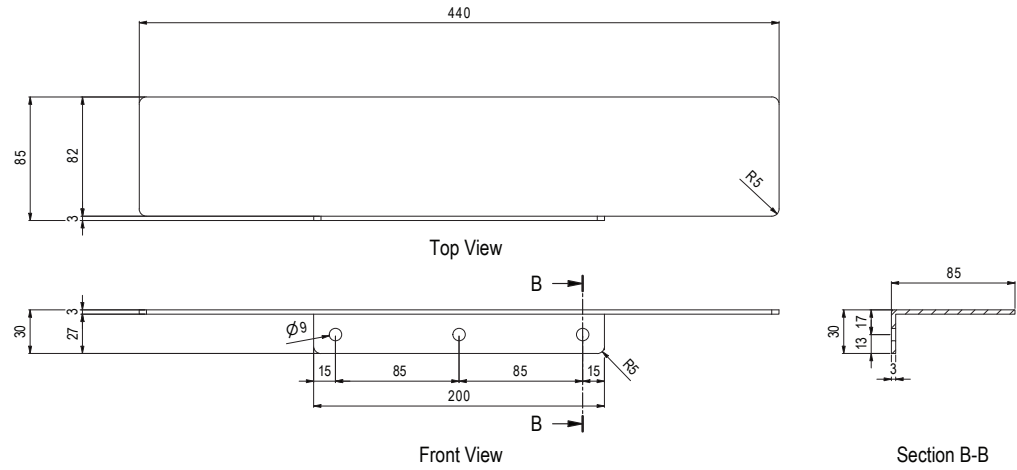


### 230mm



### 440mm



**Note:** Dimensions are nominal measurements only

### SPECIFICATIONS

#### RECOMMENDED USE

Domestic / Commercial

#### MATERIAL

304 Stainless Steel

#### SIZES

230 & 440mm

#### INSTALLATION

2 x Screws

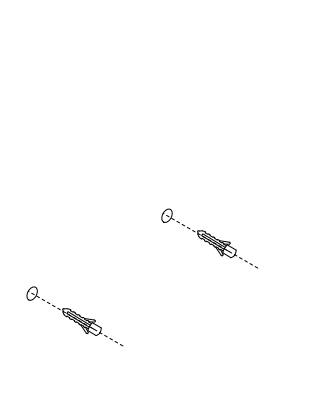
#### WARRANTY

Structure: 10 Years | Finish: 5 Years

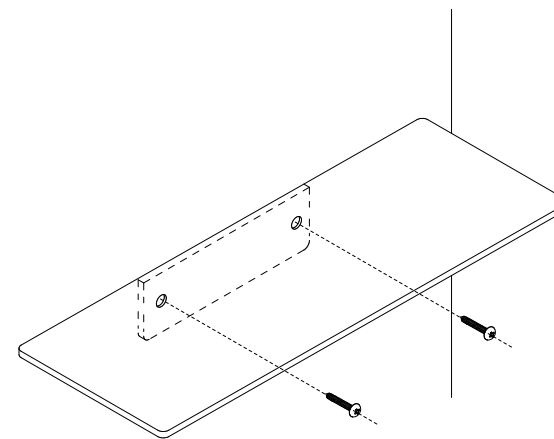
**Note:** This product must be installed by a licensed tradesperson. This is a general installation guide - there are many factors that are involved that can alter the installation method.

### 230mm Shelf

- 1 Mark out desired position for shelf. Drill holes in desired position and insert wall plugs.

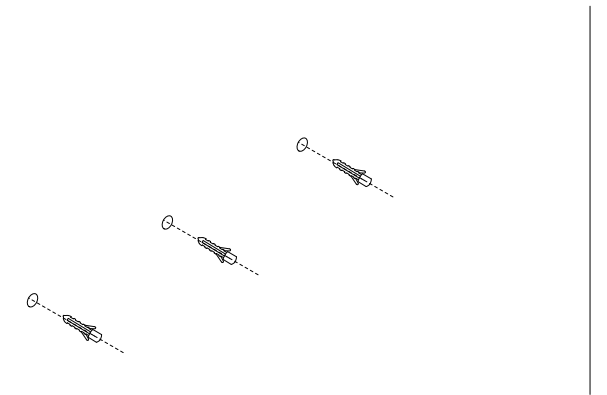


- 2 Fix shelf to wall using fixings provided.



### 440mm Shelf

- 1 Mark out desired position for shelf. Drill holes in desired position and insert wall plugs.



- 2 Fix shelf to wall using fixings provided.

