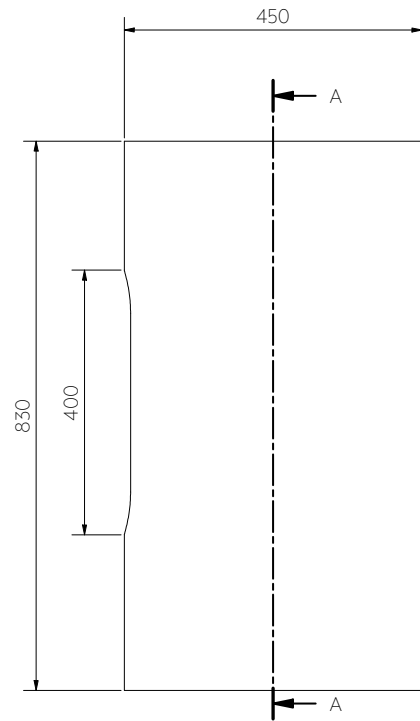
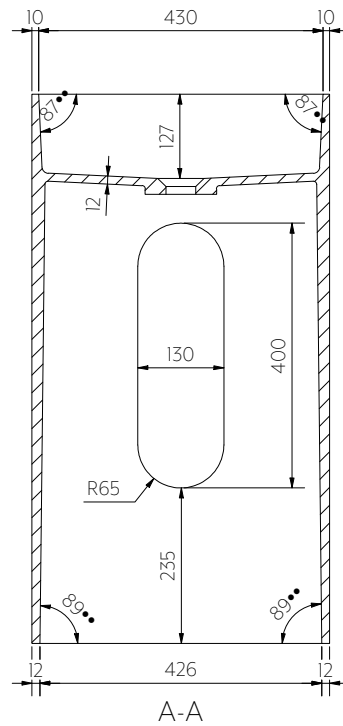


Top View



Side View



A-A

Note: Dimensions are nominal measurements only

SPECIFICATIONS

RECOMMENDED USE Domestic

MATERIAL Solid Surface

INSTALLATION Pedestal

OVERFLOW No

CAPACITY 17.4L

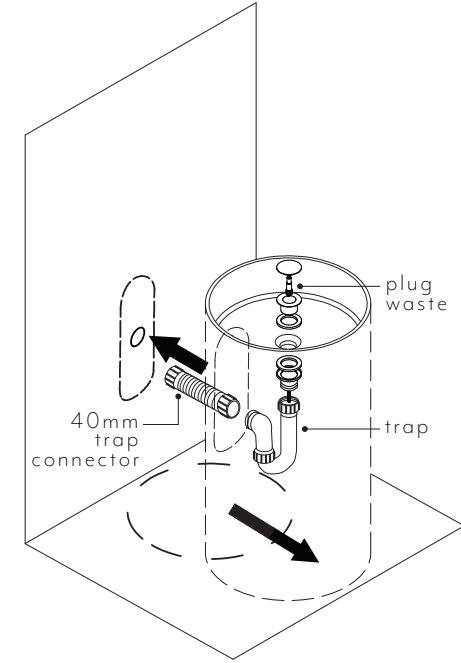
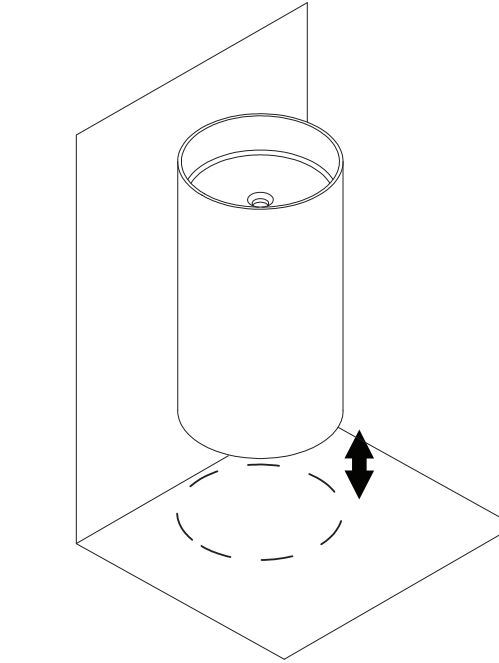
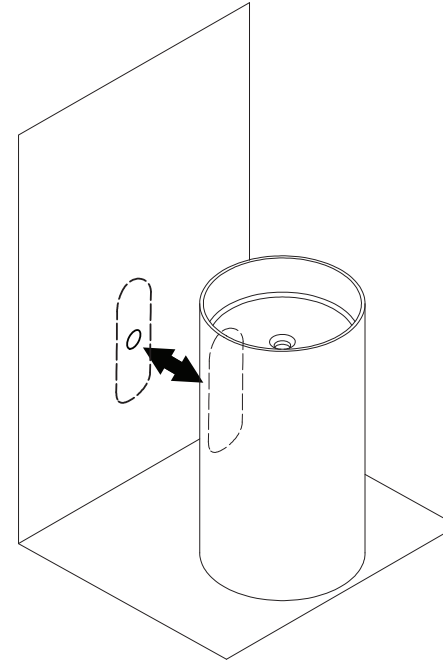
RIM THICKNESS 10mm

Disclaimer: Products in this manual must by law be installed by licensed and registered tradespeople in accordance with the relevant standards. ABI and the manufacturer/distributor reserve the right to vary specifications or delete models from their range without prior notification. Dimensions are nominal measurements only. The information listed is correct at the time of publication, however ABI and the manufacturer/distributor takes no responsibility for printing errors. Copyright © ABI Interiors 2021

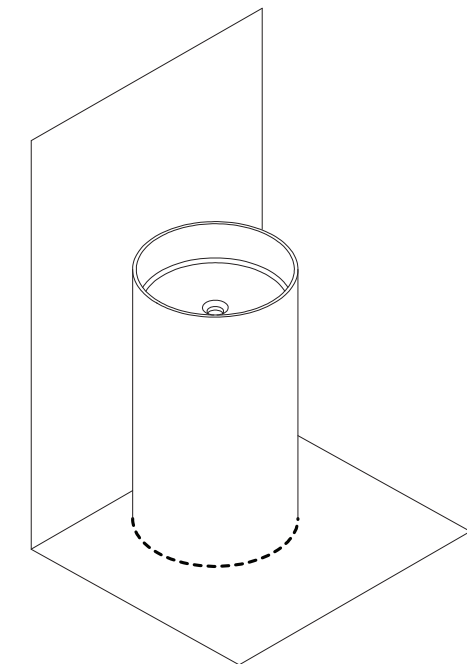
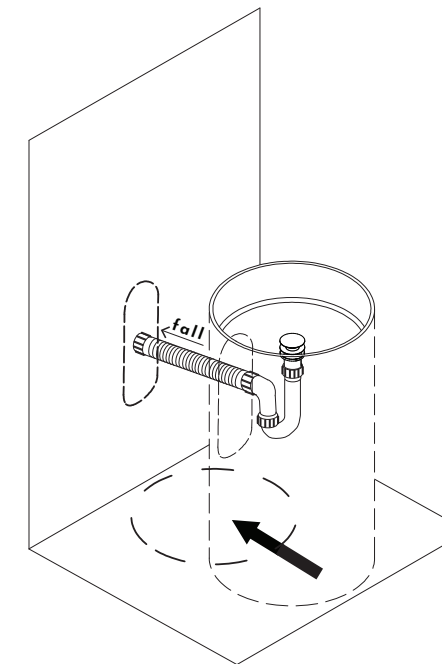
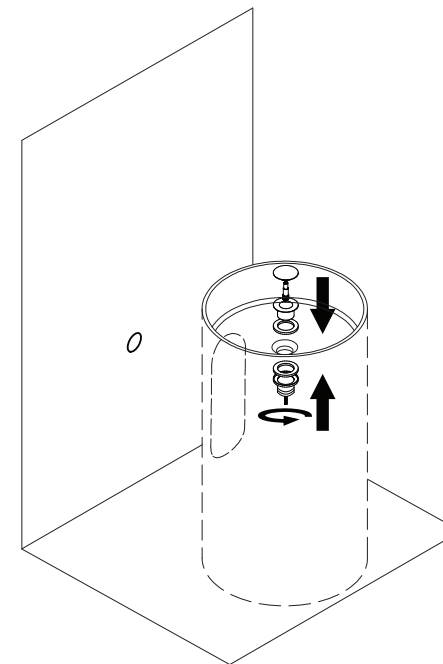
INSTALLATION GUIDE

Note: This product must be installed by a licensed plumber. This is a general installation guide - there are many factors that are involved that can alter the installation method. This product install must comply with AS/NZS 3500.

- 1 Associate the rear plumbing access hole of the basin to the wall waste.
- 2 Mark desired location of basin to determine length of drainage from wall waste to basin outlet.
- 3 Shift basin away from desired location to plan out drainage connection to wall waste & alter if necessary.



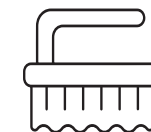
- 4 Fit plug waste into basin outlet, seal & tighten as required.
- 5 Fit out drainage connection to underside of basin. Connect drainage to wall waste & re-position basin. **Note:** allow fall from trap to waste hole.
- 6 Silicone around base of basin & wipe off any excess waste.



Regularly clean with mild liquid detergent or soap and water



DO NOT use cream cleaners or bleach. These substances are abrasive



DO NOT use cleaning pads with abrasive surfaces as this may scratch the material