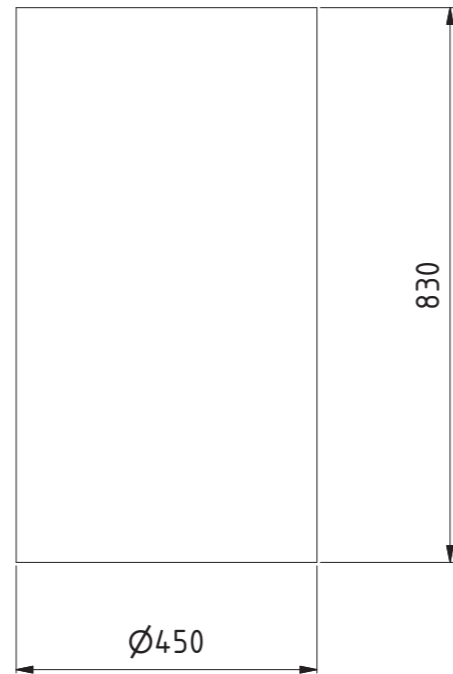
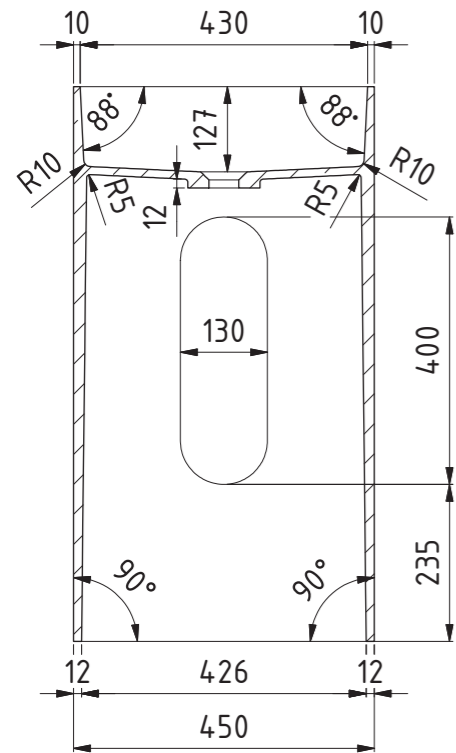
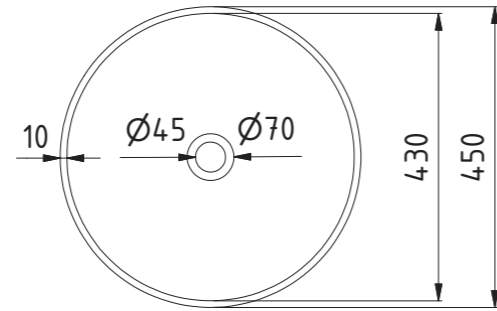


Note: This product must be installed by a licensed tradesperson. This is a general installation guide - there are many factors that are involved that can alter the installation method.



Note: Dimensions are nominal measurements only

SPECIFICATIONS

RECOMMENDED USE

Domestic

MATERIAL

Solid Surface

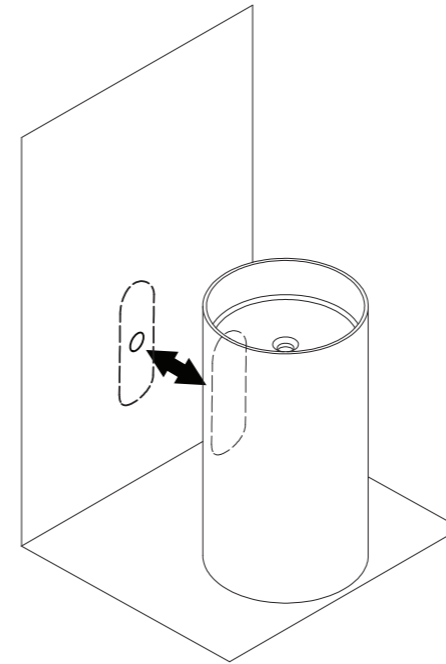
INSTALLATION

Pedestal

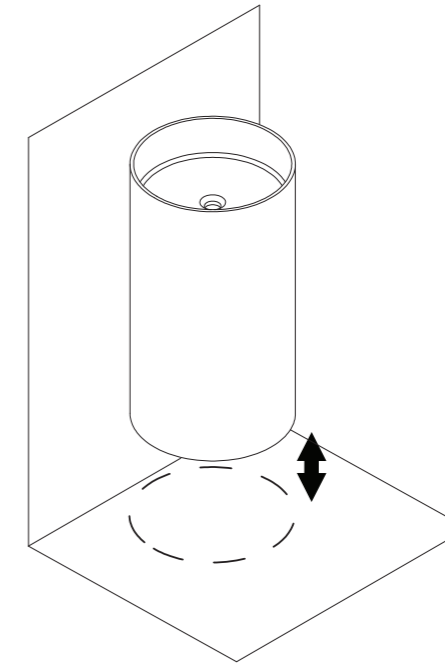
WARRANTY

Structure: 5 years | Finish: 5 years

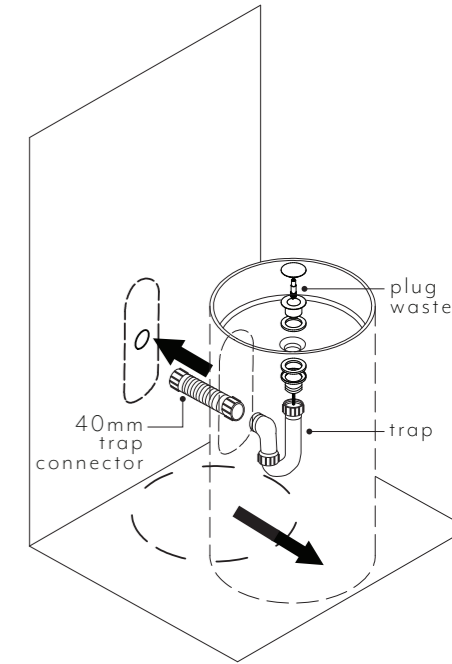
① Associate the rear plumbing access hole of the basin to the wall waste.



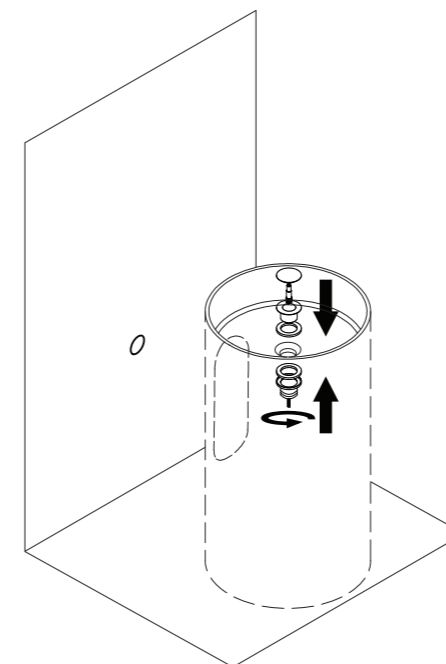
② Mark desired location of basin to determine length of drainage from wall waste to basin outlet.



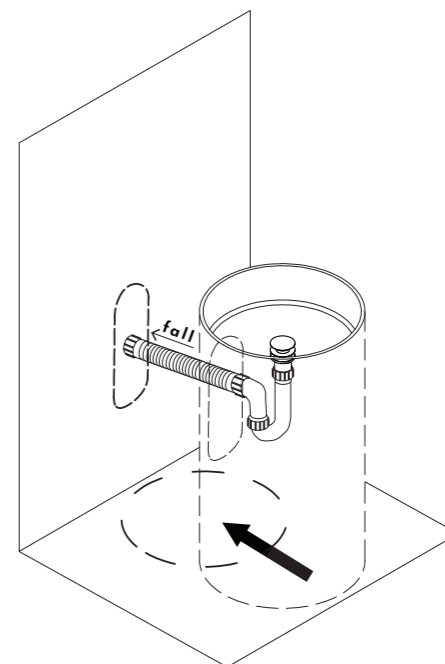
③ Shift basin away from desired location to plan out drainage connection to wall waste & alter if necessary.



④ Fit plug waste into basin outlet, seal & tighten as required.



⑤ Fit out drainage connection to underside of basin. Connect drainage to wall waste & re-position basin. **Note:** allow fall from trap to waste hole.



⑥ Silicone around base of basin & wipe off any excess waste.

