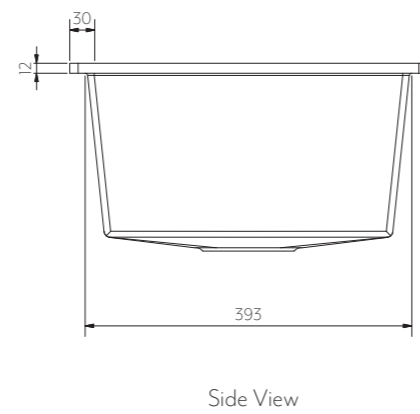
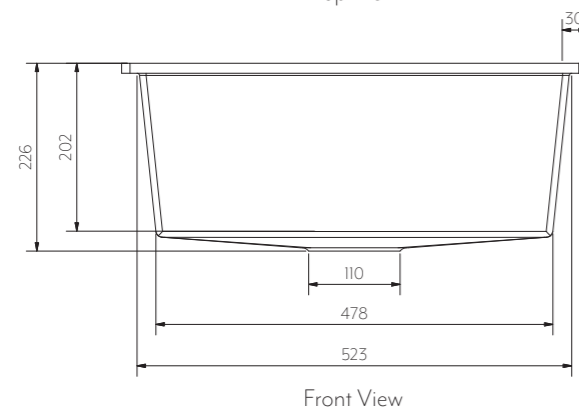


NOTE: Includes Stainless Steel basket waste. This sink model can only be paired with a Stainless Steel basket waste - other colour options are unavailable.



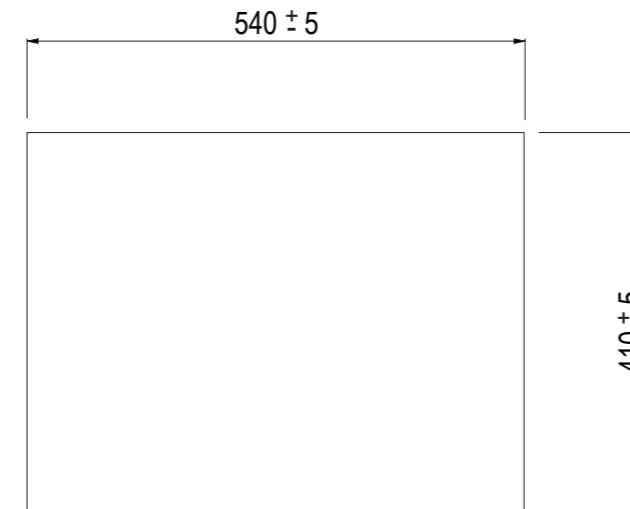
Note: Dimensions are nominal measurements only

SPECIFICATIONS

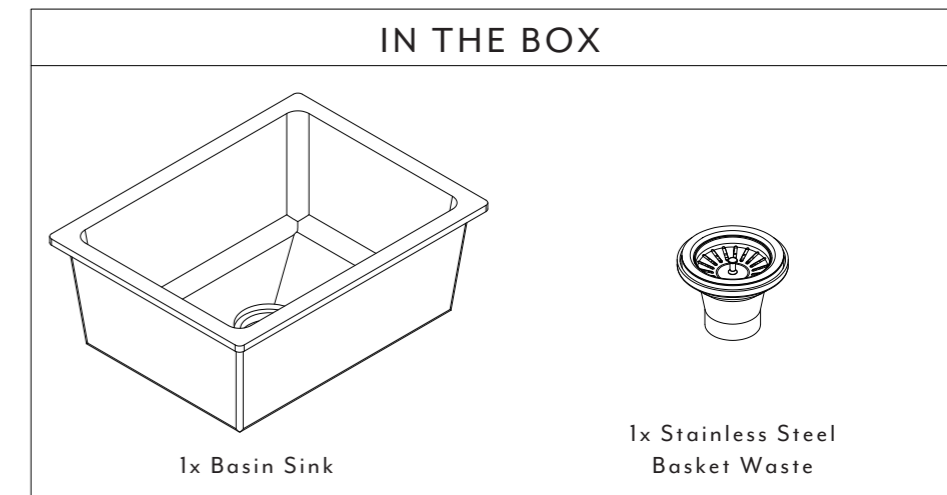
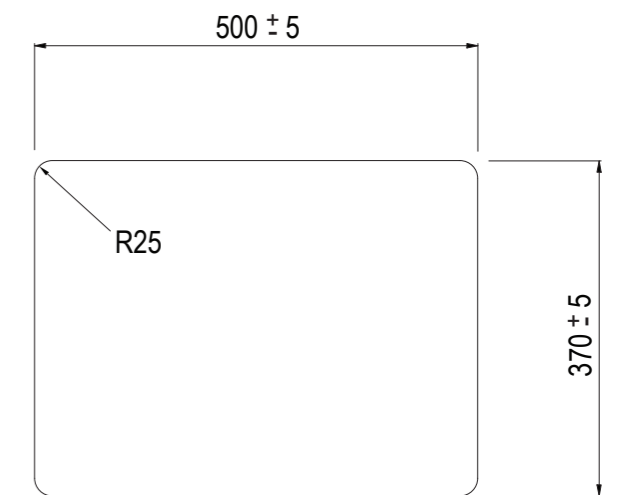
RECOMMENDED USE	Domestic, Commercial
MATERIAL	Composite Black Granite
COMPOSITION	80% Granite Quartz/ 20% Acrylic Resin
INSTALLATION	Undermount, Top Mount
OVERFLOW	No
LITRE	32 Litres

CUT-OUT TEMPLATES

TOPMOUNT INSTALLATION



UNDERMOUNT INSTALLATION



Regularly clean with mild liquid detergent or soap and water



DO NOT use cream cleaners or bleach. These substances are abrasive



DO NOT use cleaning pads with abrasive surfaces as this may scratch the material

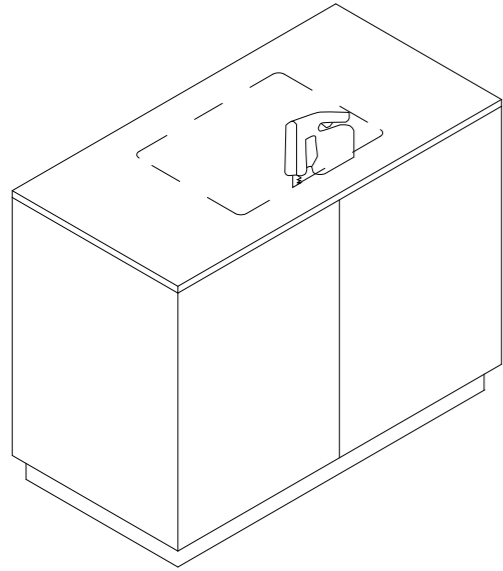
INSTALLATION GUIDE - UNDERMOUNT - SINK

Note: This product must be installed by a licensed tradesperson. This is a general installation guide - there are many factors that are involved that can alter the installation method. For installs outside Australia and New Zealand, the standards in your respective country must be adhered to by your licensed tradesperson



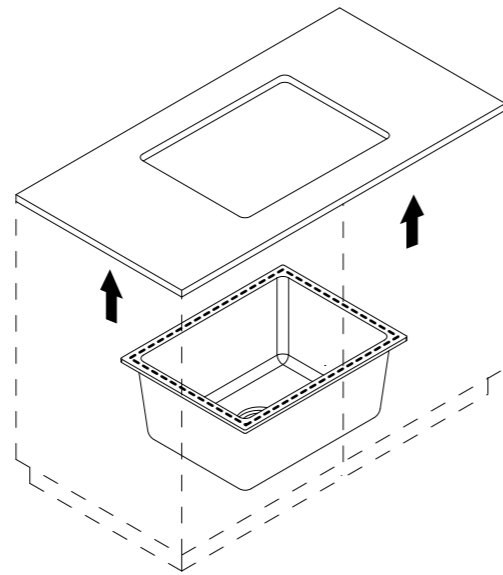
- 1 Mark out desired location of sink using the cut out template dimensions provided.

Cut out sink hole using preferred method.



- 2 Clean around the edge of benchtop sink hole & perimeter of sink rim.

Position the sink in the cabinet below the benchtop hole. Apply adhesive to the perimeter of sink rim & lift into position.



- 3 Lay a piece of timber across the benchtop hole & position in line with sink hole below.

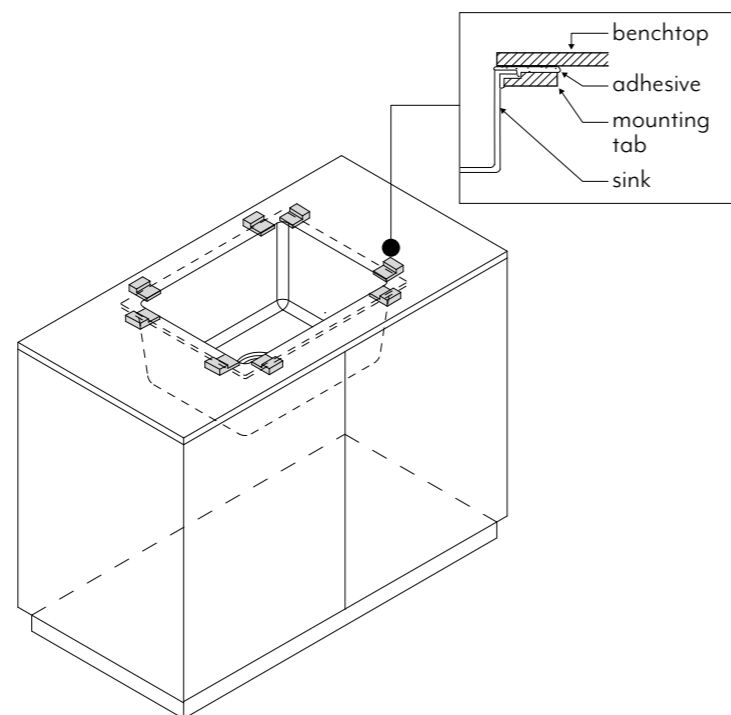
Place clamp through the sink hole & tighten the clamp to hold the sink in place. Wipe away any excess adhesive around benchtop opening.

Note: Use rags to protect surfaces when either the clamp or timber is making contact with the benchtop or sink.

- 4 Using the benchtop material build rebated mounting tabs. Clean around the underside perimeter of the sink & the mounting tabs.

Apply adhesive to the mounting tab & fix it to the underside of the benchtop & sink rim. Repeat tabs at regular intervals.

Wipe away any excess adhesive around mounting tabs.



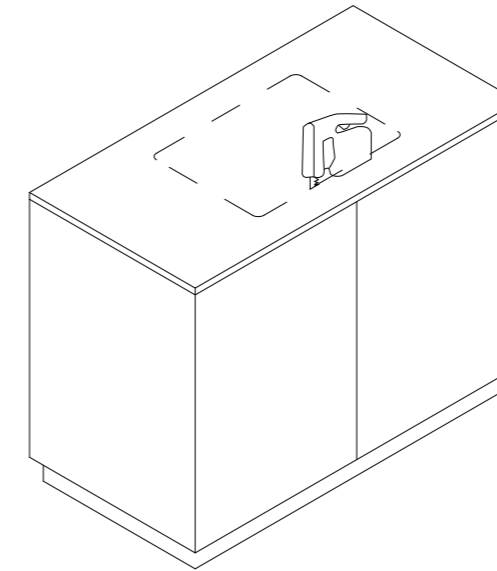
INSTALLATION GUIDE - TOP MOUNT SINK

Note: This product must be installed by a licensed tradesperson. This is a general installation guide - there are many factors that are involved that can alter the installation method.



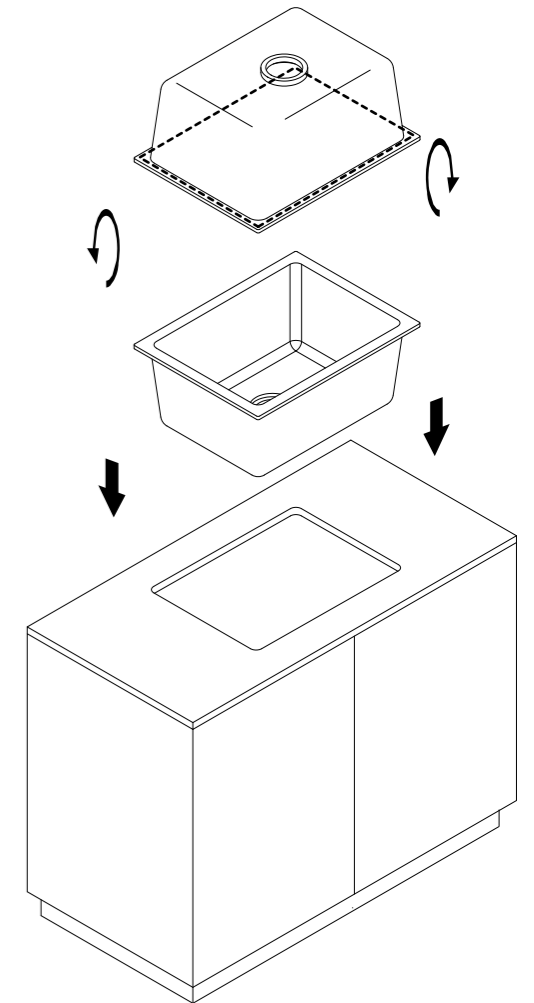
- 1 Mark out desired location of sink using the cut out template dimensions provided.

Cut out sink hole using preferred method.



- 2 Clean around edge of benchtop sink hole & perimeter of sink rim.

Apply adhesive to the underside perimeter of sink rim & lower into position.



- 3 Wipe away any excess adhesive around sink rim.

