



VANITY DRAWER ORGANISER 900MM



Side View

Top View

Note: Dimensions are nominal measurements only

SPECIFICATIONS

RECOMMENDED USE

Suitable for 900mm drawer

MATERIAL

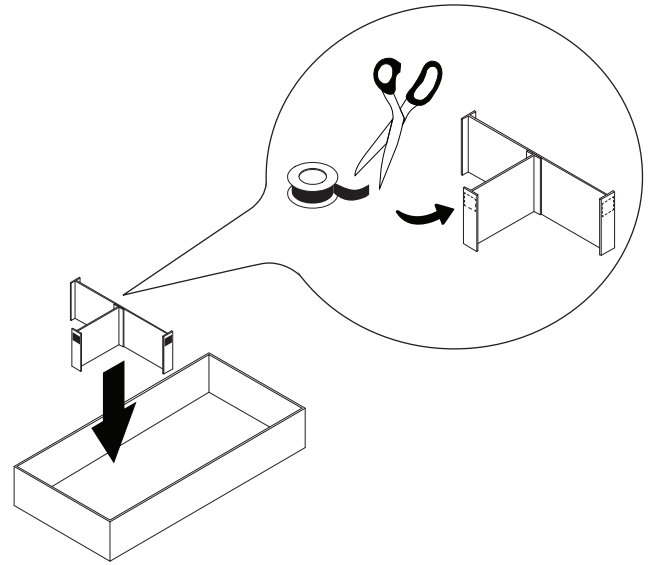
Acrylic

INSTALLATION GUIDE

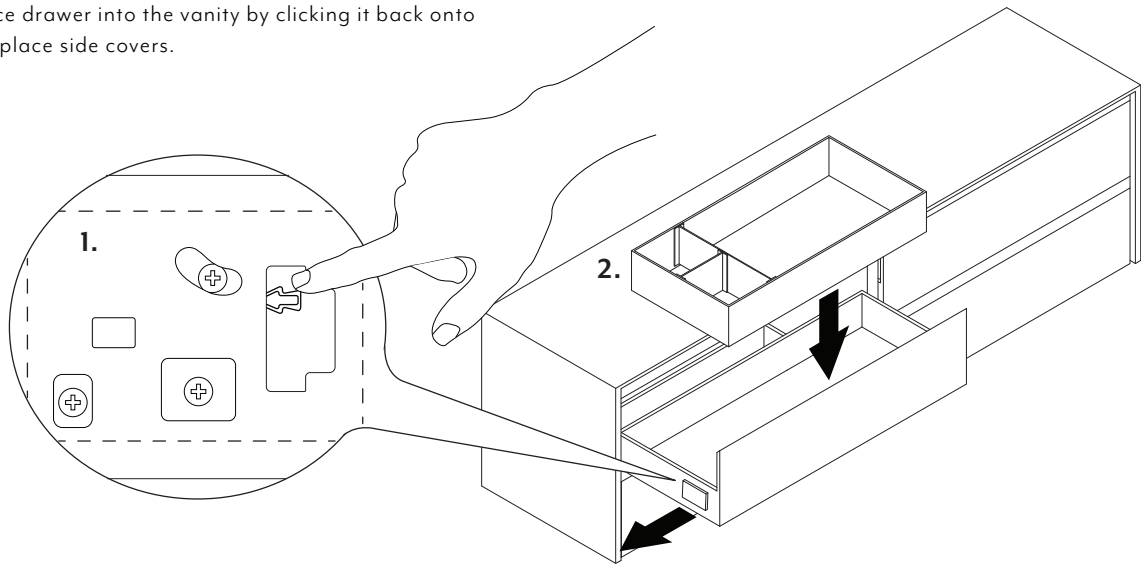


Note: This product must be installed by a licensed tradesperson.
This is a general installation guide - there are many factors that are involved that can alter the installation method.

1. Insert dividers into organizer in your desired configuration.
If desired place adhesive strips onto sides of divider. To ensure easy insertion, place a small amount of adhesive on to top quarter of the divider.



2. 1. Remove vanity drawer. This can be done by removing side covers and pulling the concealed levers simultaneously to slide drawer off tracks.
2. Place organizer into drawer.
3. Replace drawer into the vanity by clicking it back onto track. Replace side covers.



3. Close vanity drawer to test and enjoy organizing!

