

Note: Dimensions are nominal measurements only

SPECIFICATIONS

RECOMMENDED USE Domestic, Commercial

MATERIAL Stainless Steel

INSTALLATION Undermount, Top Mount

OVERFLOW Yes

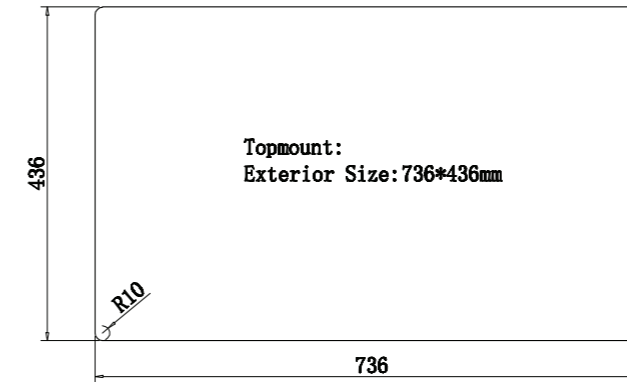
LITRE 56L

INSTALLATION

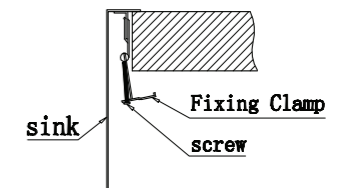
ABI will not be held responsible for any damage caused by leakage or faulty installation. ABI has a strict quality controlling process however please check the sink prior to installation. Please ensure proper care is taken during installation to avoid scratching the Stainless Steel. The standards in your respective country must be adhered to by your licensed tradesperson.

CUT-OUT TEMPLATES

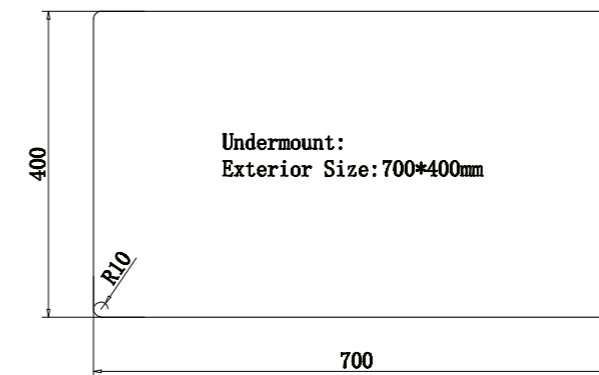
TOPMOUNT INSTALLATION



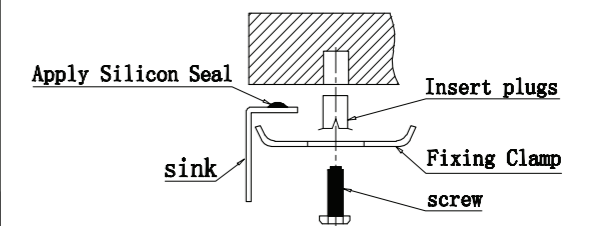
Topmount Installation



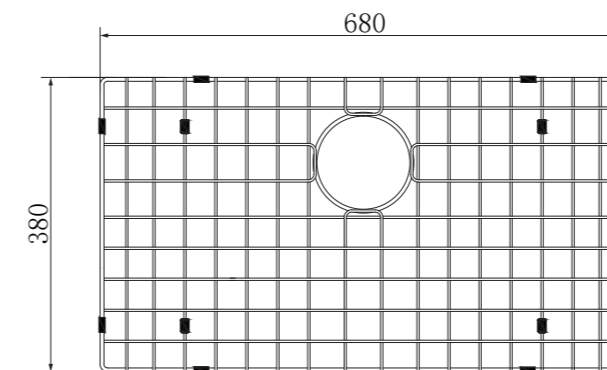
UNDERMOUNT INSTALLATION



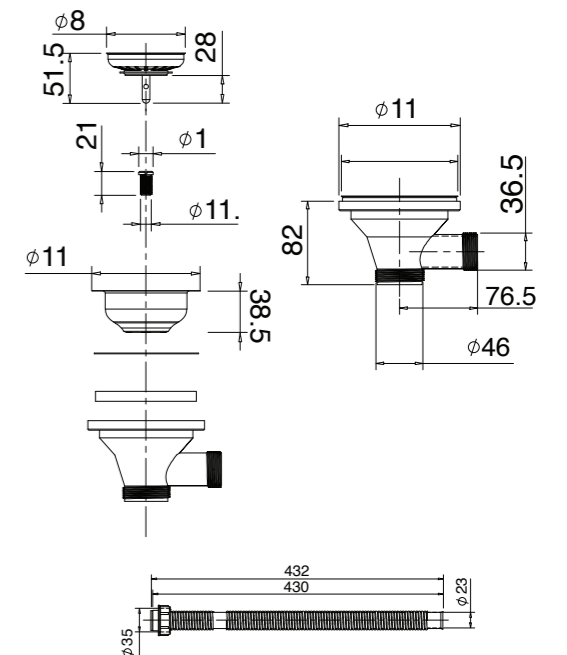
Undermount Installation



RACK DIMENSIONS



BASKET WASTE



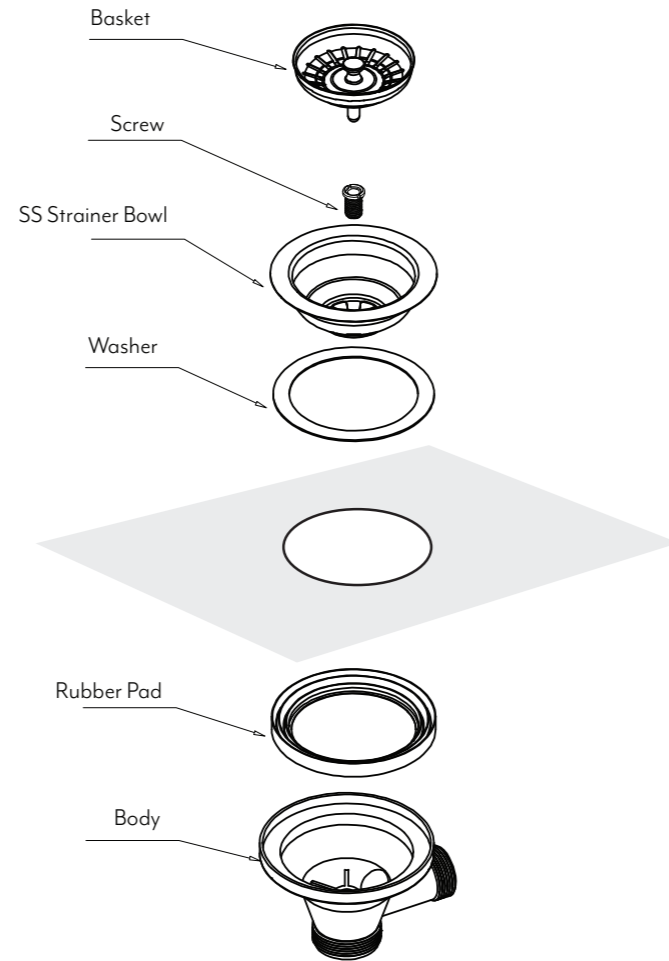
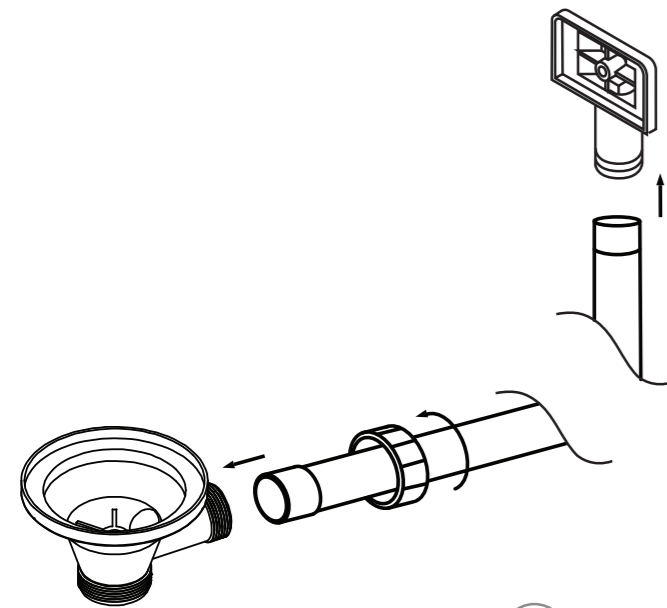
INSTALLATION GUIDE

ABI

DIAGRAM 1

1 Disassemble the basket waste and install into sink. Washer & SS Strainer bowl should be installed from the top. Rubber pad and body to be on the underside of the sink - tighten screw to fix parts together. Add Basket (Diagram 1)

2 Connect the flexible pipe to the body and screw on fitting to tighten. Push pipe onto the overflow fitting - pushing as far as possible



3 Add rubber seal into the overflow fitting, line up with hole and place on outside of sink. Tighten screw to fix parts together.

