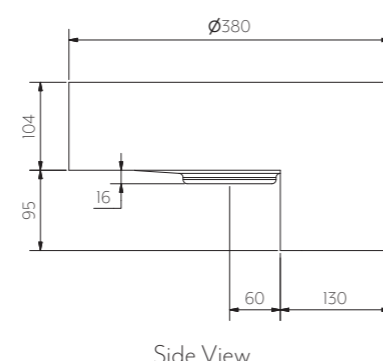
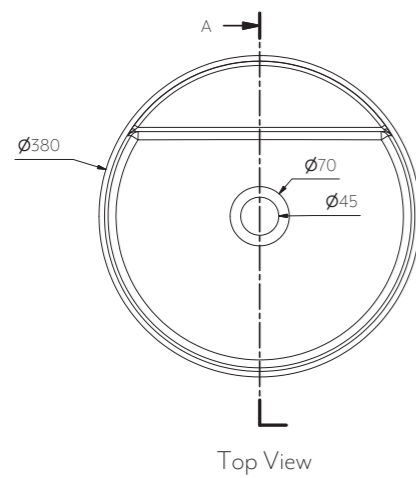


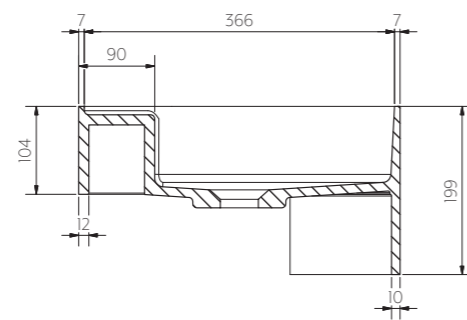
Front View



Side View



Top View



Section View A-A

**Note:** Dimensions are nominal measurements only

## SPECIFICATIONS

### RECOMMENDED USE

Domestic

### COLOUR AVAILABILITY

Matte White

### MATERIAL

Solid Surface

### INSTALLATION

Semi Recessed Bench Mount

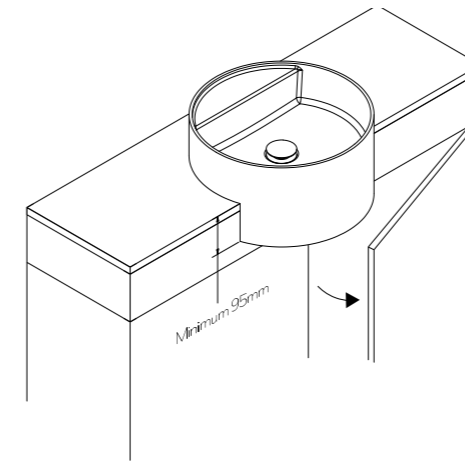
### OVERFLOW

N/A

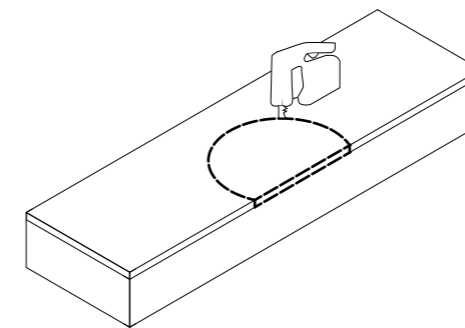
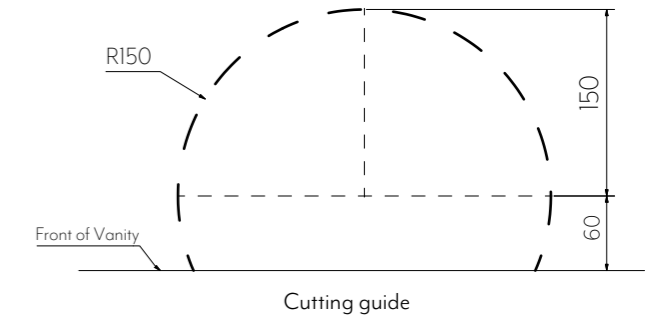
## INSTALLATION GUIDE

**Note:** This product must be installed by a licensed tradesperson.

This is a general installation guide. There are many factors that are involved that can alter the installation method.

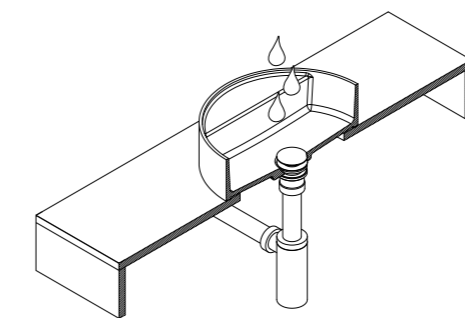


If front facing cupboards are desired a minimum of 95 mm of clearance is required as to not impede opening of doors.

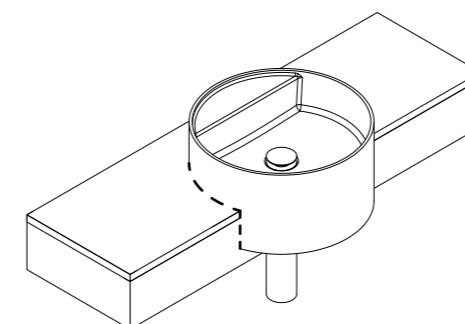


- 1 Mark out desired location of basin using the cutting guide. Cut a 300mm diameter circle, with its center set 60mm back from the edge of the vanity.

**Note:** If cutting a stone benchtop it will need to be cut in a controlled environment by a licensed tradesperson as per OH&S regulations.



- 2 Place basin into vanity cutout, install pop up waste and attach to plumbing. Test by running water through the waste and pushing the plug down.



- 3 Silicone basin to vanity benchtop as required.