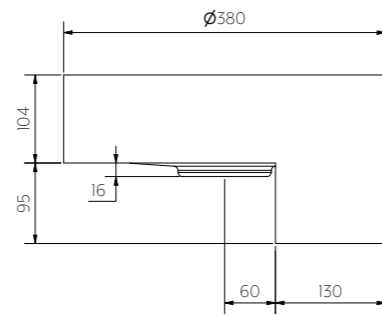
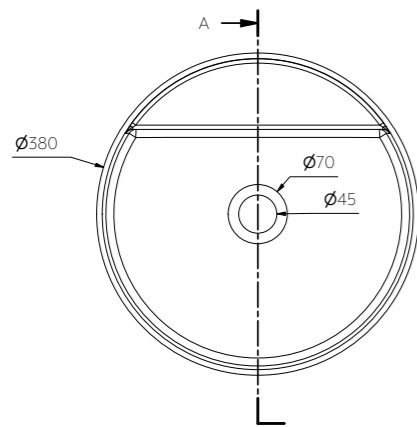


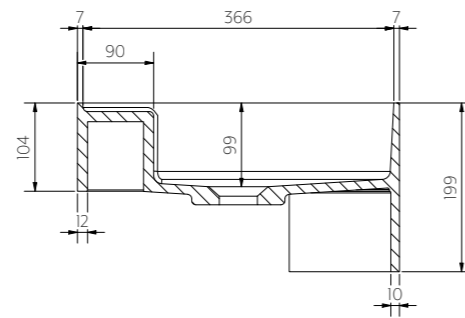
Front View



Side View



Top View



Section View A-A

Note: Dimensions are nominal measurements only

SPECIFICATIONS

RECOMMENDED USE

Domestic

MATERIAL

Solid Surface

INSTALLATION

Semi Recessed Bench Mount

OVERFLOW

No

CAPACITY

7.2L

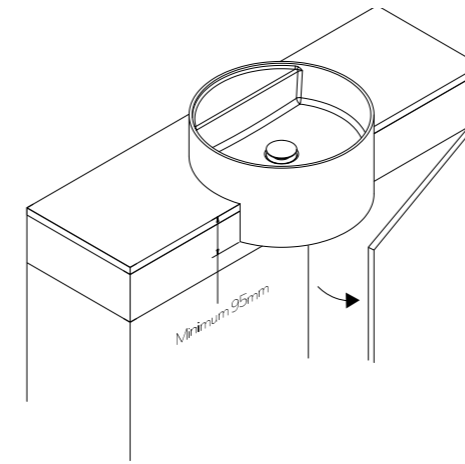
RIM THICKNESS

7mm

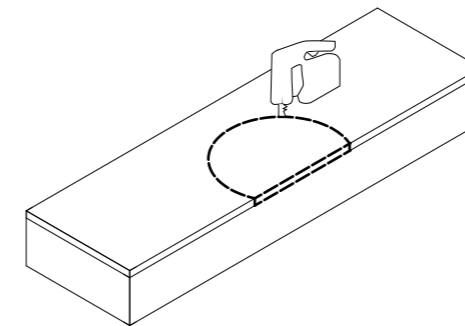
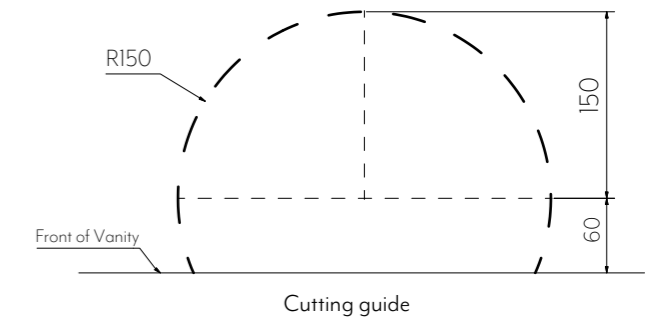
Disclaimer: Products in this manual must by law be installed by licensed and registered tradespeople in accordance with the relevant standards. ABI and the manufacturer/distributor reserve the right to vary specifications or delete models from their range without prior notification. Dimensions are nominal measurements only. The information listed is correct at the time of publication, however ABI and the manufacturer/distributor takes no responsibility for printing errors. Copyright © ABI Interiors 2021

INSTALLATION GUIDE

Note: This product must be installed by a licensed plumber. This is a general installation guide - there are many factors that are involved that can alter the installation method. This product install must comply with AS/NZS 3500.

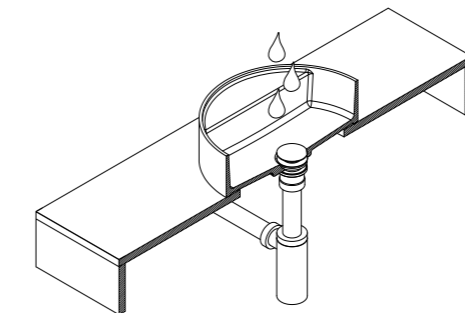


If front facing cupboards are desired a minimum of 95 mm of clearance is required as to not impede opening of doors.

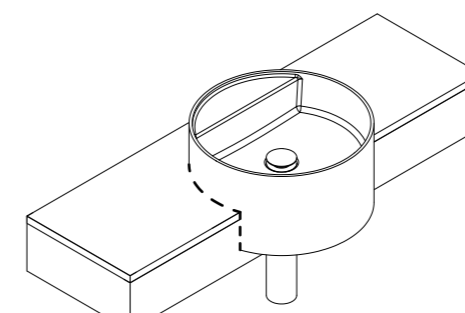


- 1 Mark out desired location of basin using the cutting guide. Cut a 300mm diameter circle, with its center set 60mm back from the edge of the vanity.

Note: If cutting a stone benchtop it will need to be cut in a controlled environment by a licensed tradesperson as per OH&S regulations.



- 2 Place basin into vanity cutout, install pop up waste and attach to plumbing. Test by running water through the waste and pushing the plug down.



- 3 Silicone basin to vanity benchtop as required.



Regularly clean with mild liquid detergent or soap and water



DO NOT use cream cleaners or bleach. These substances are abrasive



DO NOT use cleaning pads with abrasive surfaces as this may scratch the material