

Note: Dimensions are nominal measurements only

SPECIFICATIONS

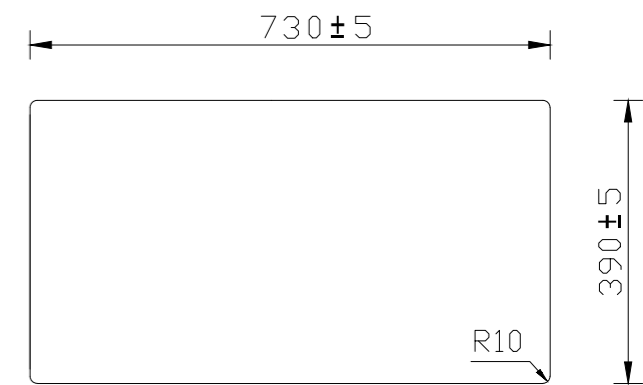
RECOMMENDED USE	Domestic, Commercial
MATERIAL	Composite Black Granite
COMPOSITION	80% Granite Quartz/ 20% Acrylic Resin
INSTALLATION	Undermount, Top Mount
OVERFLOW	Yes
WARRANTY	Structure: 25 years
LITRE	48 Litres

CUT-OUT TEMPLATES

TOPMOUNT INSTALLATION



UNDERMOUNT INSTALLATION



NOTE: PRODUCT DOES NOT INCLUDE BASKET WASTE

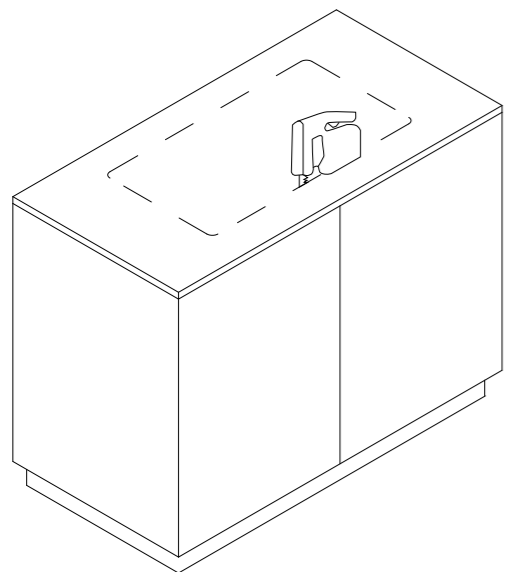
INSTALLATION GUIDE - UNDERMOUNT SINK

Note: This product must be installed by a licensed tradesperson.
This is a general installation guide - there are many factors that are involved that can alter the installation method.



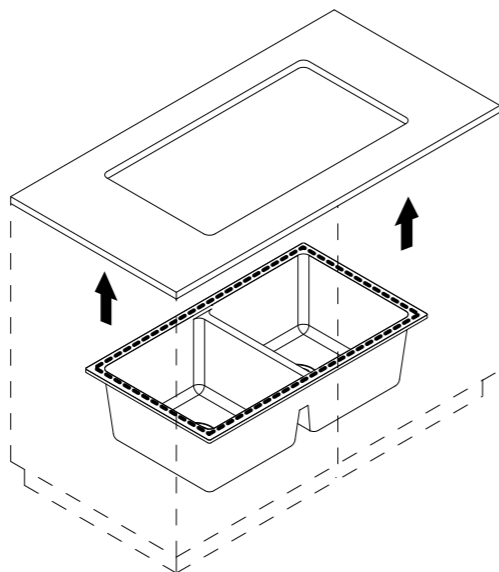
- 1 Mark out desired location of sink using the cut out template dimensions provided.

Cut out sink hole using preferred method.



- 2 Clean around the edge of benchtop sink hole & perimeter of sink rim.

Position the sink in the cabinet below the benchtop hole. Apply adhesive sealant to the perimeter of sink rim & lift into position.



- 3 Lay a piece of timber across the benchtop hole & position in line with sink holes below.

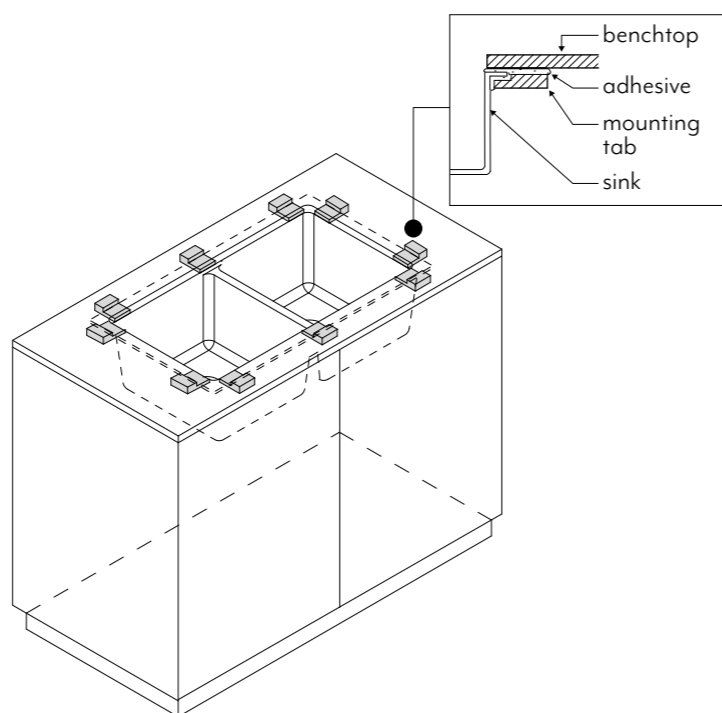
Place clamps through the sink holes & tighten the clamps to hold the sink in place. Wipe away any excess adhesive sealant around benchtop opening.

Note: Use rags to protect surfaces when either the clamp or timber is making contact with the benchtop or sink.

- 4 Using the benchtop material build rebated mounting tabs.

Clean around the underside perimeter of the sink & the mounting tabs.

Apply adhesive sealant to the mounting tab & fix it to the underside of the benchtop & sink rim. Repeat tabs at regular intervals. Wipe away any excess adhesive around mounting tabs.



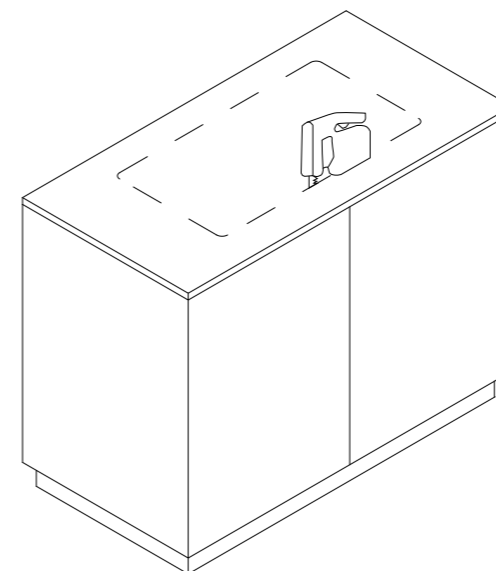
INSTALLATION GUIDE - TOP MOUNT SINK

Note: This product must be installed by a licensed tradesperson.
This is a general installation guide - there are many factors that are involved that can alter the installation method.



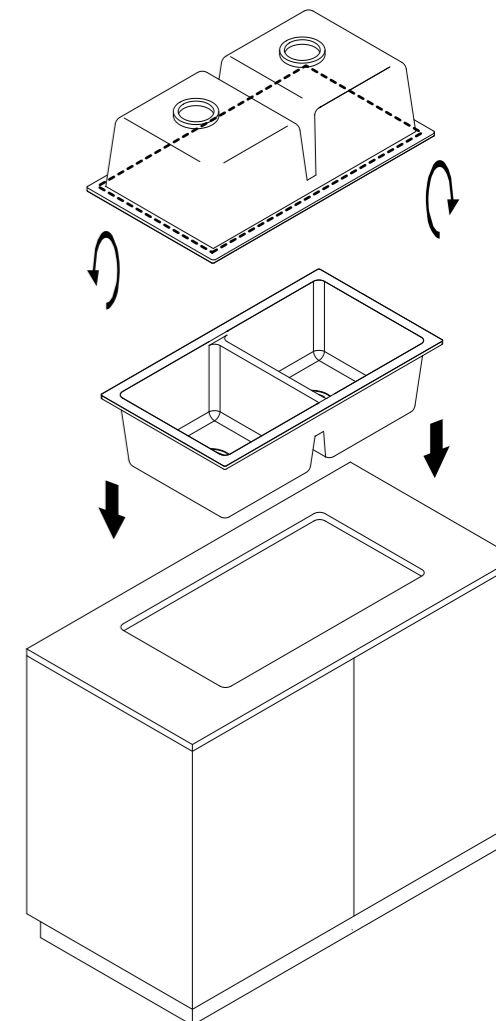
- 1 Mark out desired location of sink using the cut out template dimensions provided.

Cut out sink hole using preferred method.



- 2 Clean around edge of benchtop sink hole & perimeter of sink rim.

Apply adhesive sealant to the underside perimeter of sink rim & lower into position.



- 3 Wipe away any excess adhesive sealant around sink rim.

