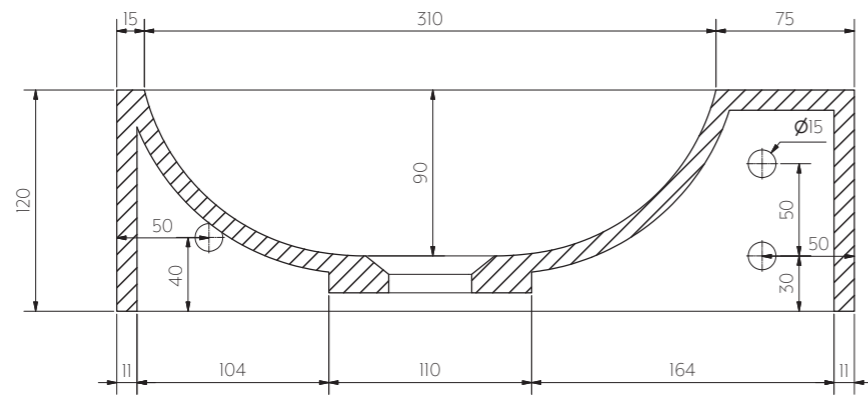


Top View



Section A-A

Note: Dimensions are nominal measurements only

SPECIFICATIONS

RECOMMENDED USE

Domestic

COLOUR AVAILABILITY

Matte White

MATERIAL

Solid Surface

INSTALLATION

Wall Mounted

OVERFLOW

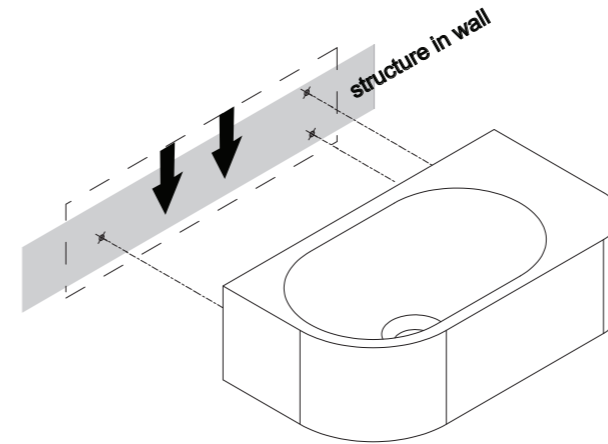
N/A

Disclaimer: Products in this specification manual must by regulation be installed by licensed and registered trade people. The manufacturer/distributor reserves the right to vary specifications or delete models from their range without prior notification. Dimensions are nominal measurements only. Dimensions and set-outs listed are correct at time of publication however the manufacturer/distributor takes no responsibility for printing errors. All ABI Products are designed in Australia. Copyright ABI Interiors Pty Ltd 2021.

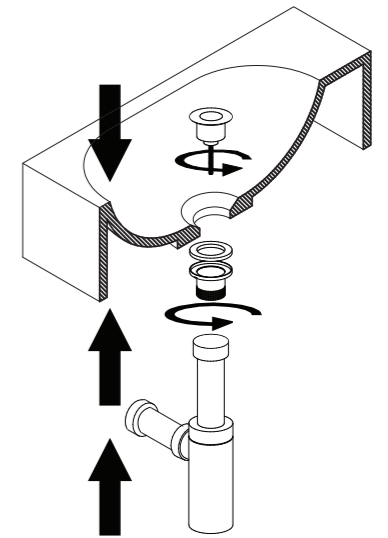
INSTALLATION GUIDE

This product must be installed by a licensed tradesperson
This is a general installation guide - there are many factors that are involved that can alter the installation method.

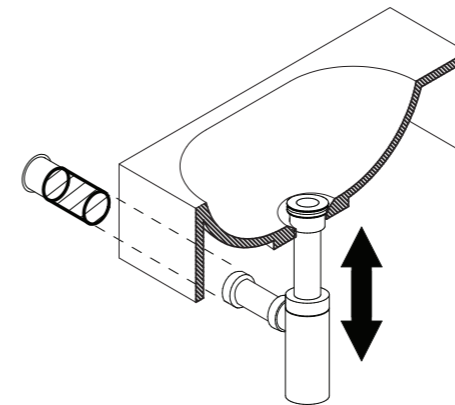
1 Check the desired height of basin from floor.



2 Fit waste and trap to basin.

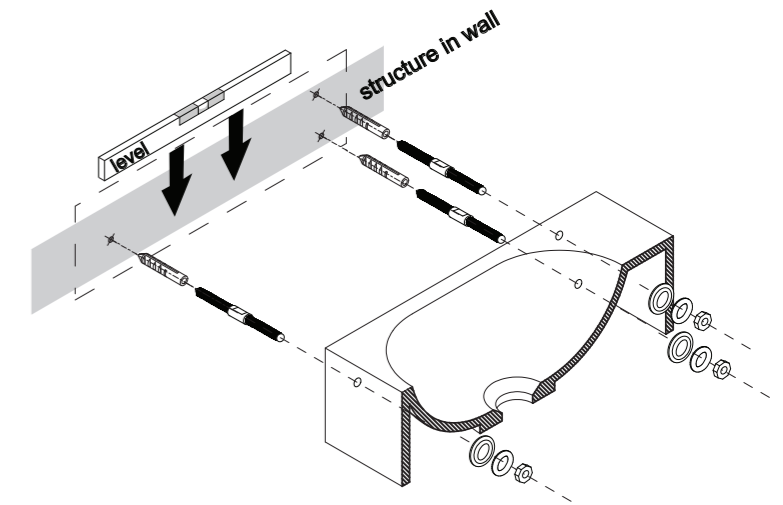


3 Hold basin against wall aligning outlet of trap with waste pipe. Extend telescopic trap up or down to find desired height & cut waste to suit trap.



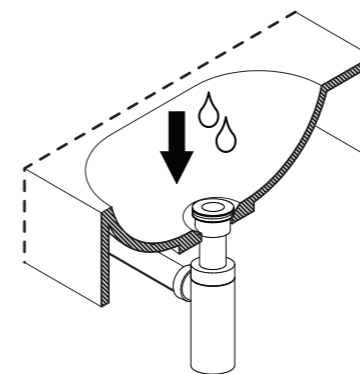
4 If correct height and position is suitable, level the top of the basin & mark out desired position.

Drill holes through the back of basin into structure within wall with a wood drill.
Fix basin into structural support in wall.



5 Secure plumbing to basin and wall outlet. Test by running water through the waste. Place the cover plate over drain.

Silicon top and sides of basin if necessary.



IN THE BOX	3 x Wall plug	1 x Basin
	3 x Hanger bolt	3 x Metal washer
	3 x Plastic washer	3 x Nut

INSTALLATION - MINI SPOUT DETAIL

Note: It is recommended this product be used in conjunction with **ABI's** mini wall mounted spout due to a limited reach distance to basin waste.

