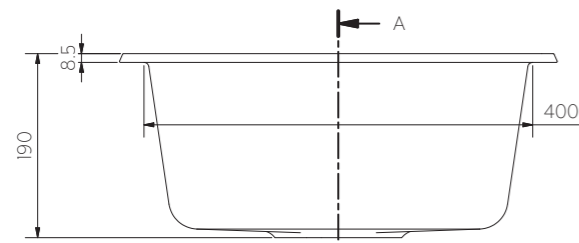
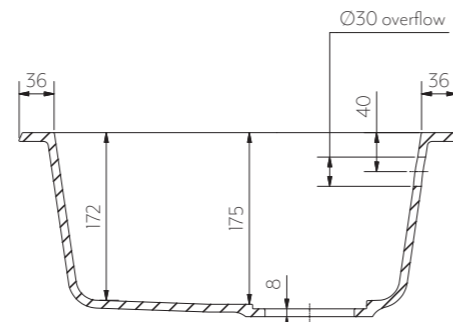


Top View



Front View



Section View A

**Note:** Dimensions are nominal measurements only

**NOTE: PRODUCT DOES NOT INCLUDE BASKET WASTE**

## SPECIFICATIONS

<b>RECOMMENDED USE</b>	Domestic
<b>MATERIAL</b>	Composite White Granite
<b>INSTALLATION</b>	Undermount, Topmount
<b>OVERFLOW</b>	Yes
<b>CAPACITY</b>	10.9L (up to overflow)

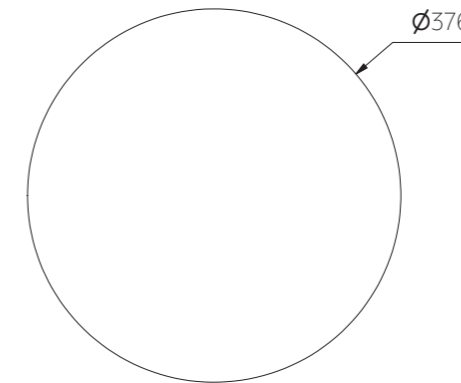
Disclaimer: Products in this manual must by law be installed by licensed and registered tradespeople in accordance with the relevant standards. ABI and the manufacturer/distributor reserve the right to vary specifications or delete models from their range without prior notification. Dimensions are nominal measurements only. The information listed is correct at the time of publication, however ABI and the manufacturer/distributor takes no responsibility for printing errors. Copyright © ABI Interiors 2021

## INSTALLATION GUIDE

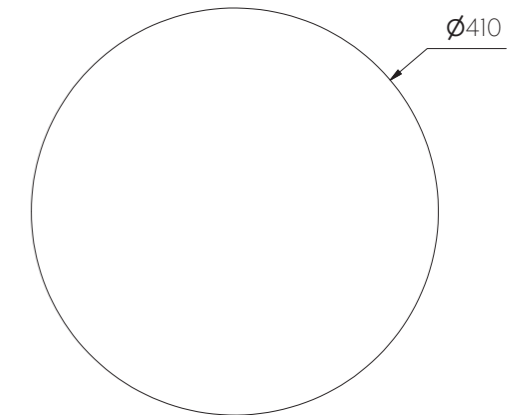
Note: This product must be installed by a licensed plumber. This is a general installation guide - there are many factors that are involved that can alter the installation method. For installations within Australia and New Zealand, this product must be installed in compliance with AS/NZS 3500.

## CUT-OUT TEMPLATES

### UNDERMOUNT INSTALLATION



### TOPMOUNT INSTALLATION



Regularly clean with mild liquid detergent or soap and water.



**DO NOT** use cream cleaners or bleach. These substances are abrasive.



**DO NOT** use cleaning pads with abrasive surfaces as this may scratch the material.

# INSTALLATION GUIDE

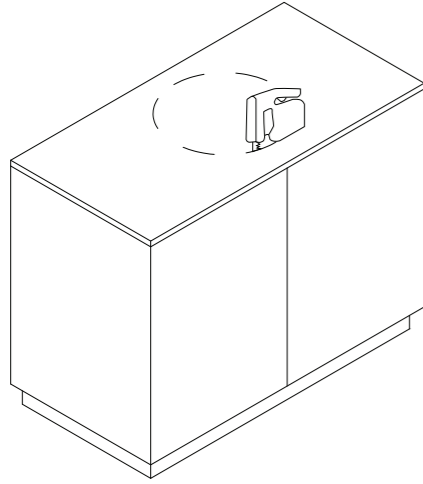
Note: This product must be installed by a licensed plumber. This is a general installation guide - there are many factors that are involved that can alter the installation method. For installations within Australia and New Zealand, this product must be installed in compliance with AS/NZS 3500.



1 Mark out desired location of sink using the cut out template dimensions provided.

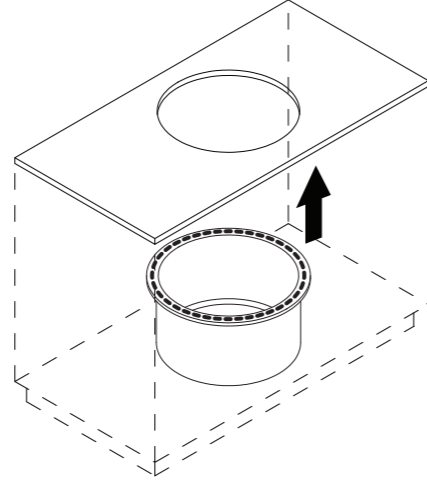
Cut out sink hole using preferred method.

**Note:** If cutting a stone benchtop it will need to be cut in a controlled environment by a licensed tradesperson as per OH&S regulations.



2 Clean around the edge of benchtop sink hole & perimeter of sink rim.

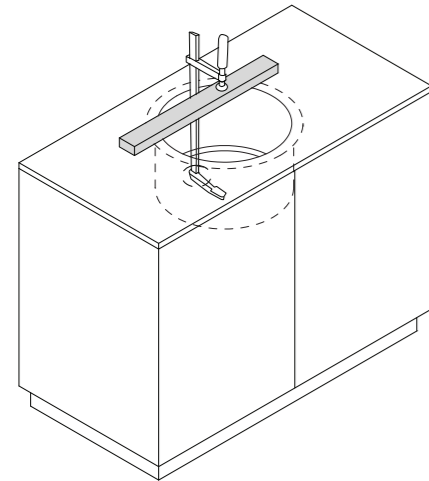
Position the sink in the cabinet below the benchtop hole. Apply adhesive sealant to the perimeter of sink rim & lift into position.



3 Lay a piece of timber across the benchtop hole & position in line with sink holes below.

Place clamp through the sink hole & tighten the clamp to hold the sink in place. Wipe away any excess adhesive sealant around benchtop opening.

**Note:** Use rags to protect surfaces when either the clamp or timber is making contact with the benchtop or sink.

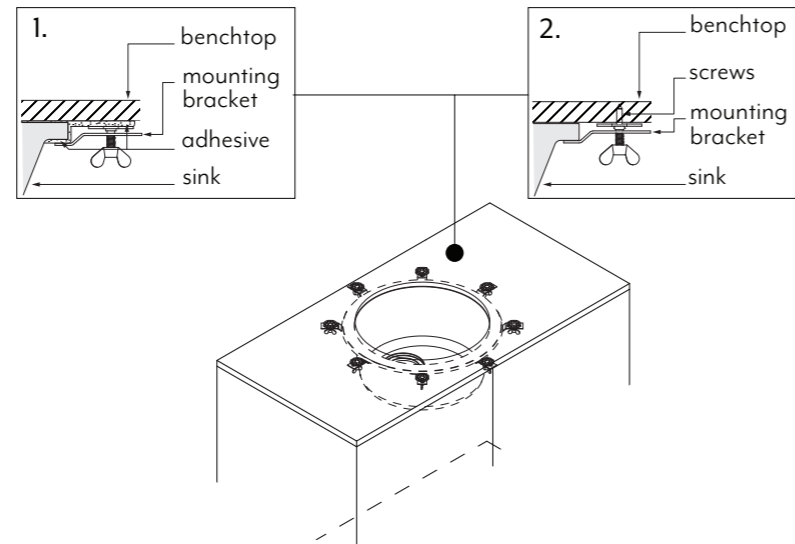


4 Depending on material of the benchtop, mount brackets using either 1. adhesive, or 2. screws.

1. Apply adhesive to the mounting bracket & fix it to the underside of the benchtop & sink rim. Repeat brackets at regular intervals. Wipe away any excess adhesive.

OR

2. Screw mounting brackets into benchtop at regular intervals. Mark and predrill holes if required.



Regularly clean with mild liquid detergent or soap and water.



DO NOT use cream cleaners or bleach. These substances are abrasive.



DO NOT use cleaning pads with abrasive surfaces as this may scratch the material.

# INSTALLATION GUIDE

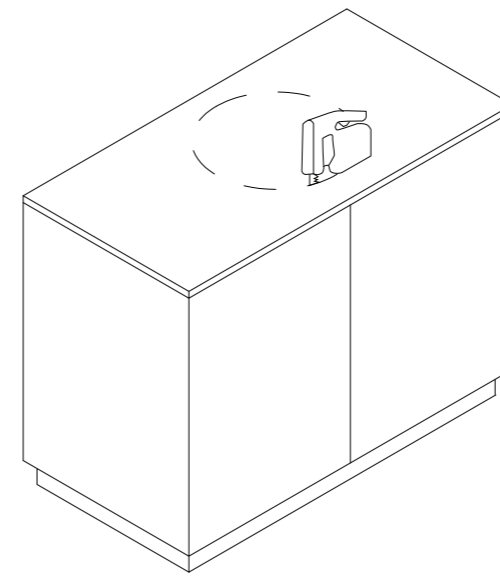
Note: This product must be installed by a licensed plumber. This is a general installation guide - there are many factors that are involved that can alter the installation method. For installations within Australia and New Zealand, this product must be installed in compliance with AS/NZS 3500.



1 Mark out desired location of sink using the cut out template dimensions provided.

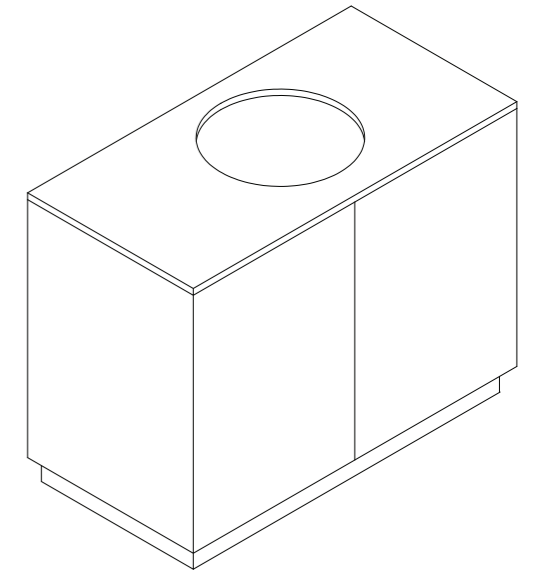
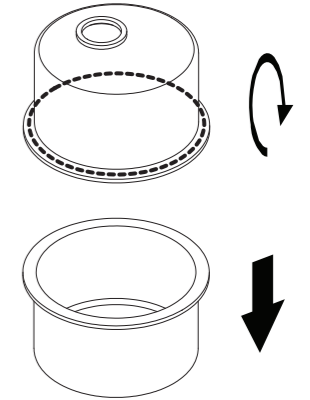
Cut out sink hole using preferred method.

**Note:** If cutting a stone benchtop it will need to be cut in a controlled environment by a licensed tradesperson as per OH&S regulations.

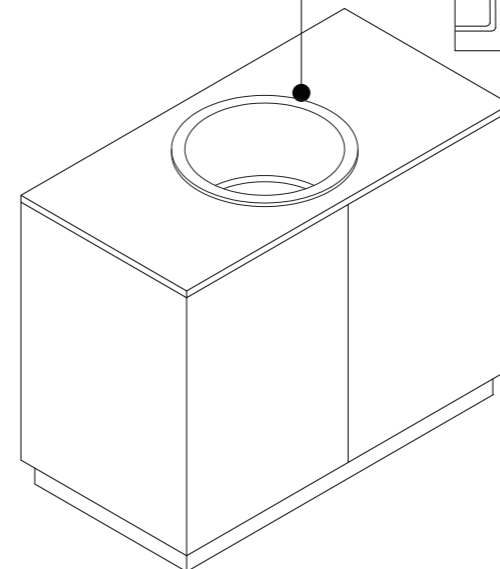
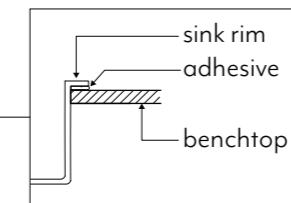


2 Clean around edge of benchtop sink hole & perimeter of sink rim.

Apply adhesive sealant to the underside perimeter of the rim & lower into position.



3 Wipe away any excess adhesive sealant around sink rim.



IN THE BOX			
	basin sink x 1		plate x 1
	mounting clips x 9		cover x 1
	overflow connection x 1		screw x 1



Regularly clean with mild liquid detergent or soap and water.



DO NOT use cream cleaners or bleach. These substances are abrasive.



DO NOT use cleaning pads with abrasive surfaces as this may scratch the material.

## INSTALLATION GUIDE

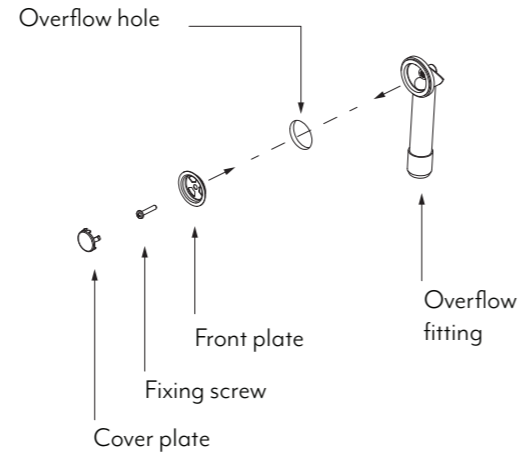
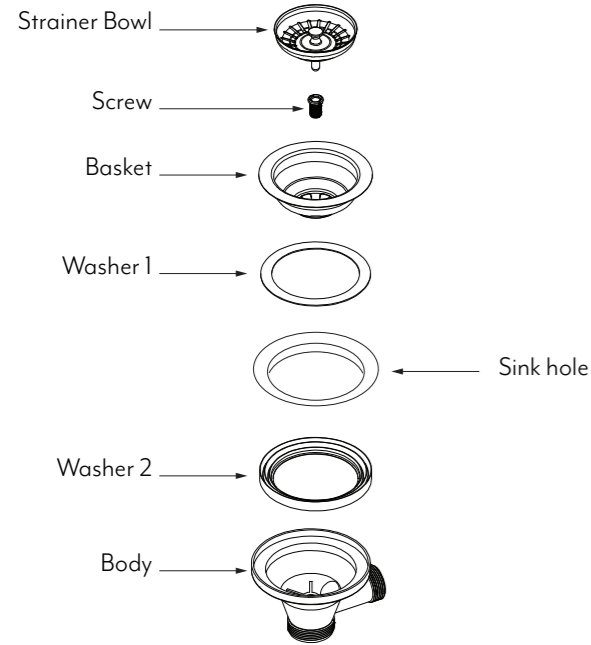
Note: This product must be installed by a licensed plumber.  
This is a general installation guide - there are many factors that are involved that can alter the installation method. For installations within Australia and New Zealand, this product must be installed in compliance with AS/NZS 3500.



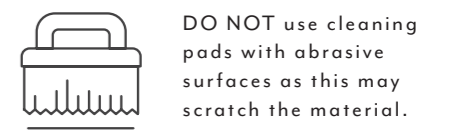
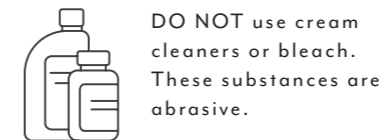
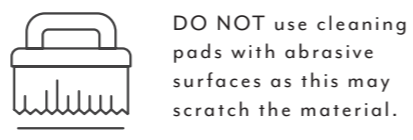
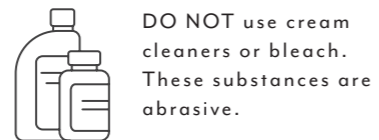
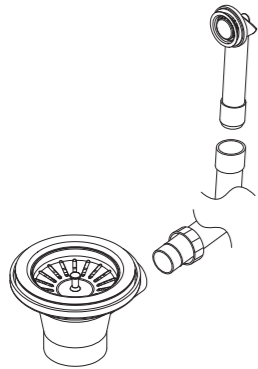
### NOTE: PRODUCT DOES NOT INCLUDE BASKET WASTE

1 Assemble the basket waste, ensure watertight seal

2 Attach the overflow connection, ensure a watertight seal



3 Connect all pipework, test and commission



## INSTALLATION GUIDE

Note: This product must be installed by a licensed plumber.  
This is a general installation guide - there are many factors that are involved that can alter the installation method. For installations within Australia and New Zealand, this product must be installed in compliance with AS/NZS 3500.

