

**Note:** Dimensions are nominal measurements only

## SPECIFICATIONS

### RECOMMENDED USE

Domestic, Commercial

### MATERIAL

Stainless Steel

### CONSTRUCTION

Soundproofing Layer & 10mm Radius Corners

### INSTALLATION

Undermount, Top Mount

### OVERFLOW

Yes

### WARRANTY

Structure: 25 years | Finish: 5 years

### LITRE

Left: 31.2L | Right: 21.6L

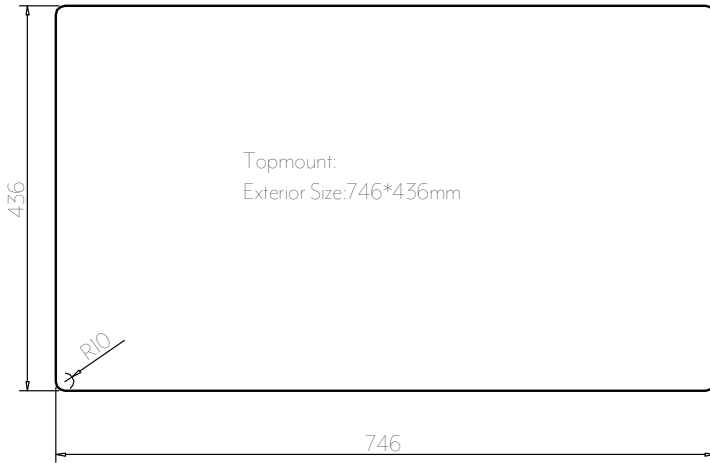
# INSTALLATION

ABI will not be held responsible for any damage caused by leakage or faulty installation.  
 ABI has a strict quality controlling process however please check the sink prior to installation.  
 Please ensure proper care is taken during installation to avoid scratching the Stainless Steel.

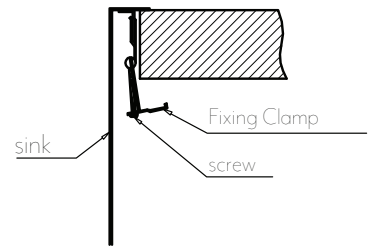


## CUT-OUT TEMPLATES

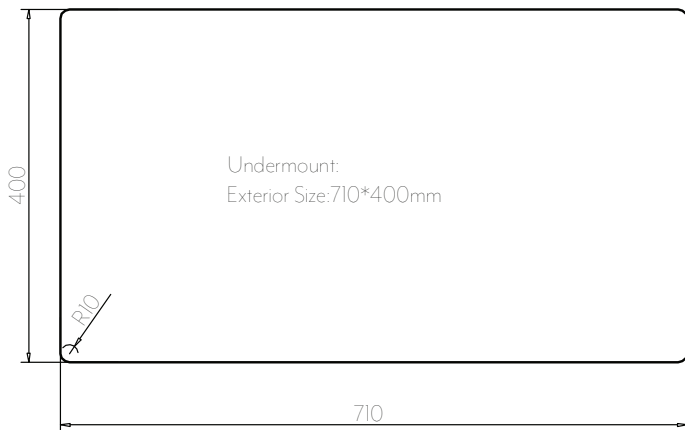
### TOP MOUNT INSTALLATION



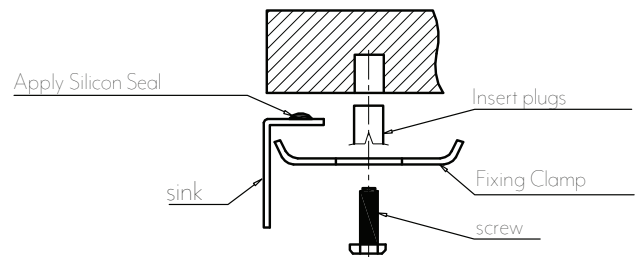
Topmount Installation



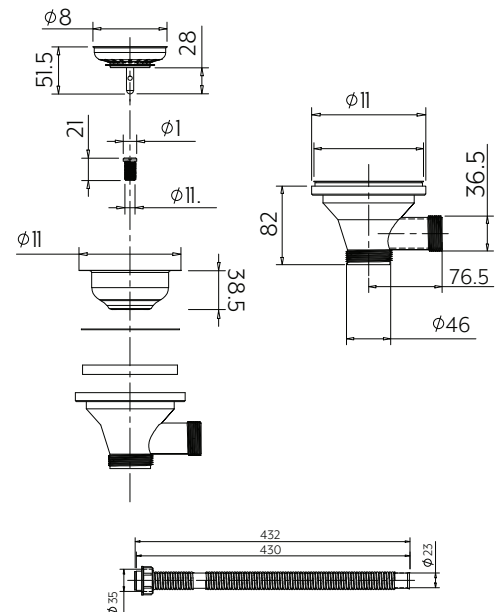
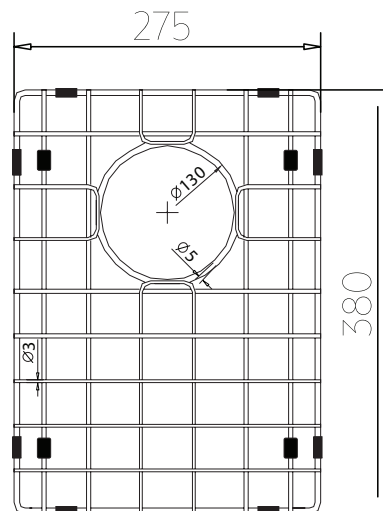
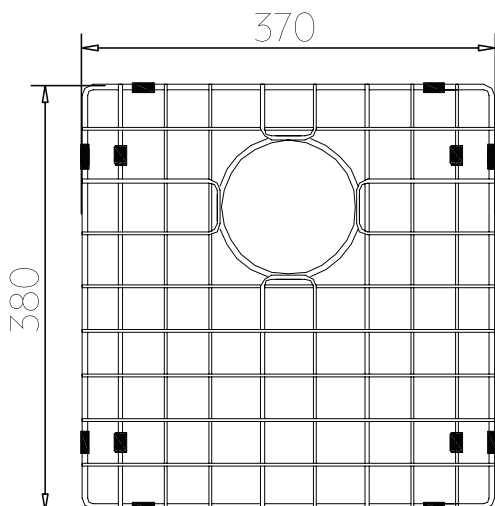
### UNDERMOUNT INSTALLATION



Undermount Installation



## RACK DIMENSIONS

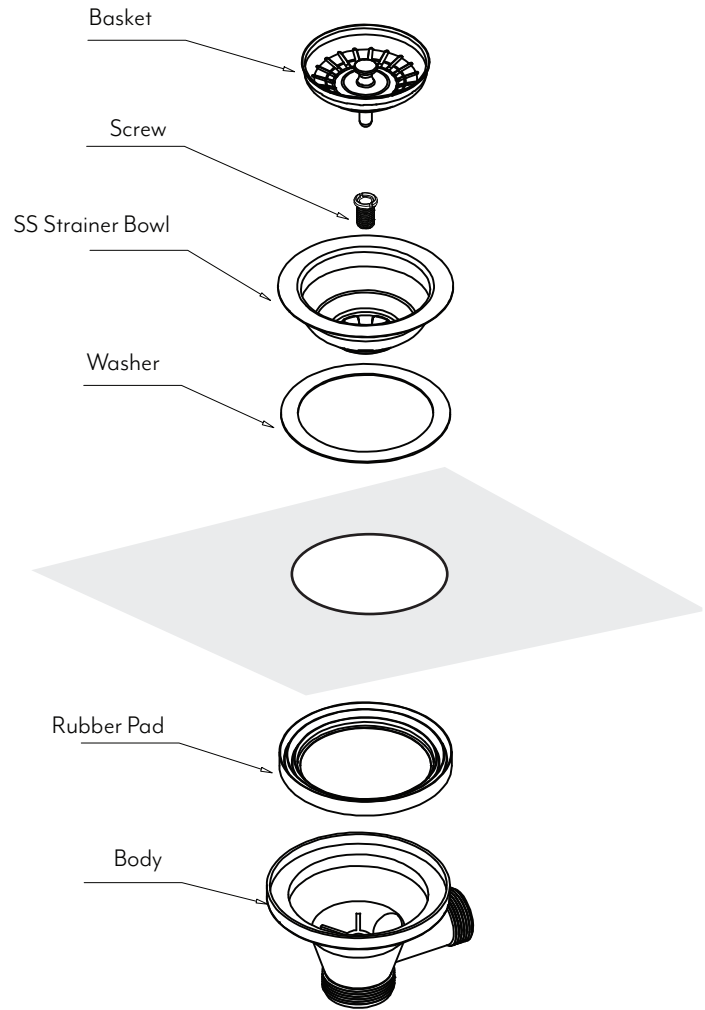
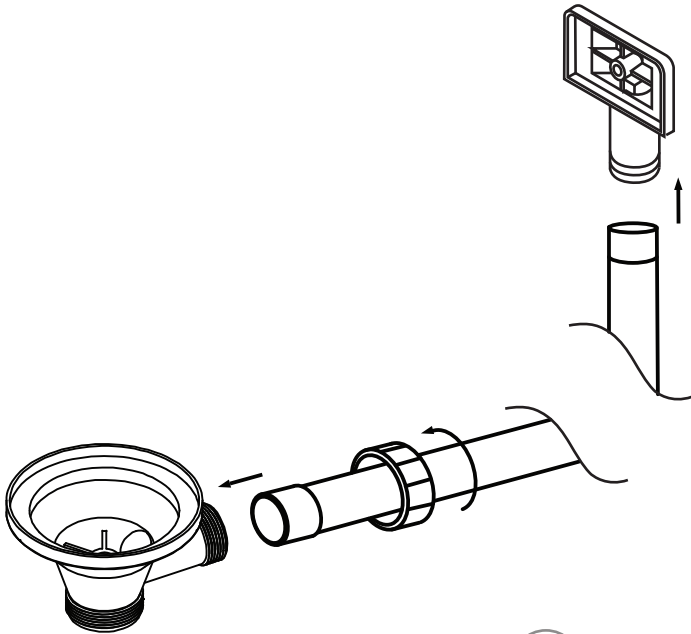


# INSTALLATION GUIDE

DIAGRAM 1

- 1 Disassemble the basket waste and install into sink. Washer & SS Strainer bowl should be installed from the top. Rubber pad and body to be on the underside of the sink - tighten screw to fix parts together. Add Basket (Diagram 1)

- 2 Connect the flexible pipe to the body and screw on fitting to tighten. Push pipe onto the overflow fitting -pushing as far as possible



- 3 Add rubber seal into the overflow fitting, line up with hole and place on outside of sink. Tighten screw to fix parts together.

