

Note: Dimensions are nominal measurements only

SPECIFICATIONS

RECOMMENDED USE

Domestic

CONSTRUCTION

Solid Brass

FINISH / COATING

ABI's Heat Shield – Industrial Grade PVD Electro Colouring System

TEMPERATURE RATING

Maximum continuous working temperature 75°C
If the water temperature exceeds 75°C, an approved tempering valve must be fitted

WARRANTY

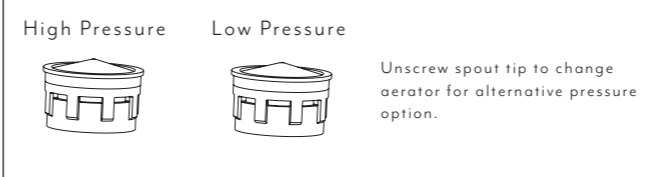
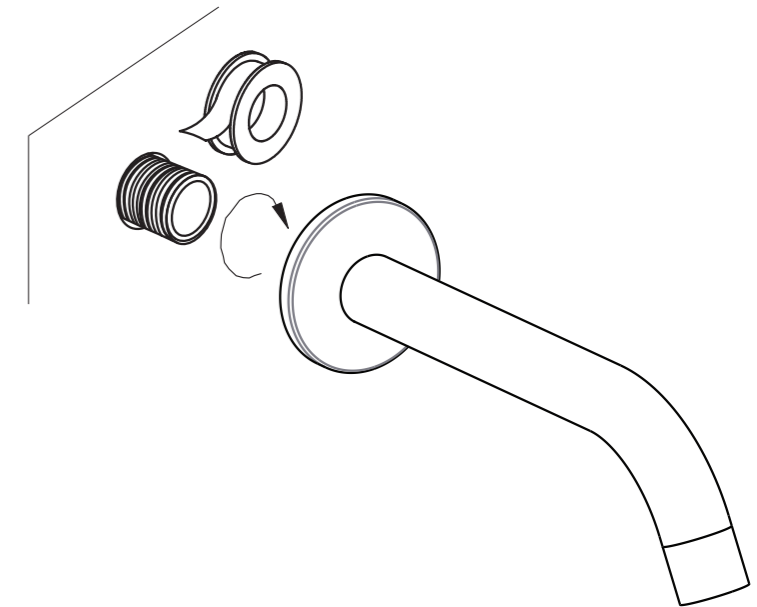
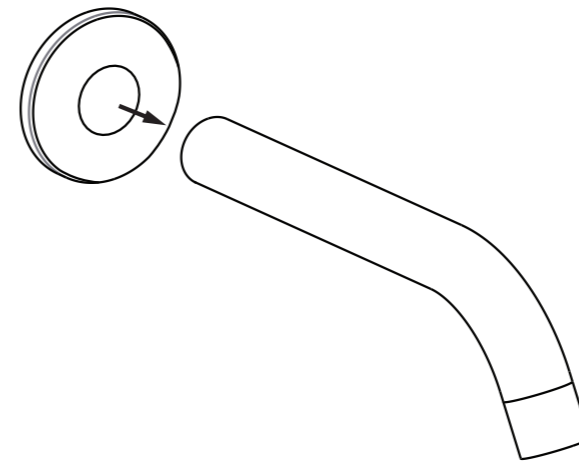
Structure: 25 years | Finish: 5 years

Disclaimer: Products in this specification manual must by regulation be installed by licensed and registered trade people. The manufacturer/distributor reserves the right to vary specifications or delete models from their range without prior notification. Dimensions are nominal measurements only. Dimensions and set-outs listed are correct at time of publication however the manufacturer/distributor takes no responsibility for printing errors. All ABI Products are designed in Australia. Copyright ABI Interiors 2019.

INSTALLATION MANUAL

This product must be installed by a licensed plumber

- Slide the back plate onto the spout - make sure that the rubber is firmly in place to protect the spout and stop the back plate from moving around
- Apply the teflon tape to the brass nipple. Twist the spout on and hand tighten.



Note: Refer to AUS to UK adaptor Installation instructions.



Regularly clean with mild liquid detergent or soap and water



DO NOT use cream cleaners or bleach. These substances are abrasive



DO NOT use cleaning pads with abrasive surfaces as this may scratch the material