

Note: Dimensions are nominal measurements only

SPECIFICATIONS

RECOMMENDED USE

Domestic

COLOUR AVAILABILITY



CONSTRUCTION

Solid Brass

FINISH / COATING

ABI's Heat Shield – Industrial Grade PVD Electro Colouring System

TEMPERATURE RATING

Maximum continuous working temperature 75°C
If the water temperature exceeds 75°C, an approved tempering valve must be fitted

WARRANTY

Structure: 25 years | Finish: 5 years

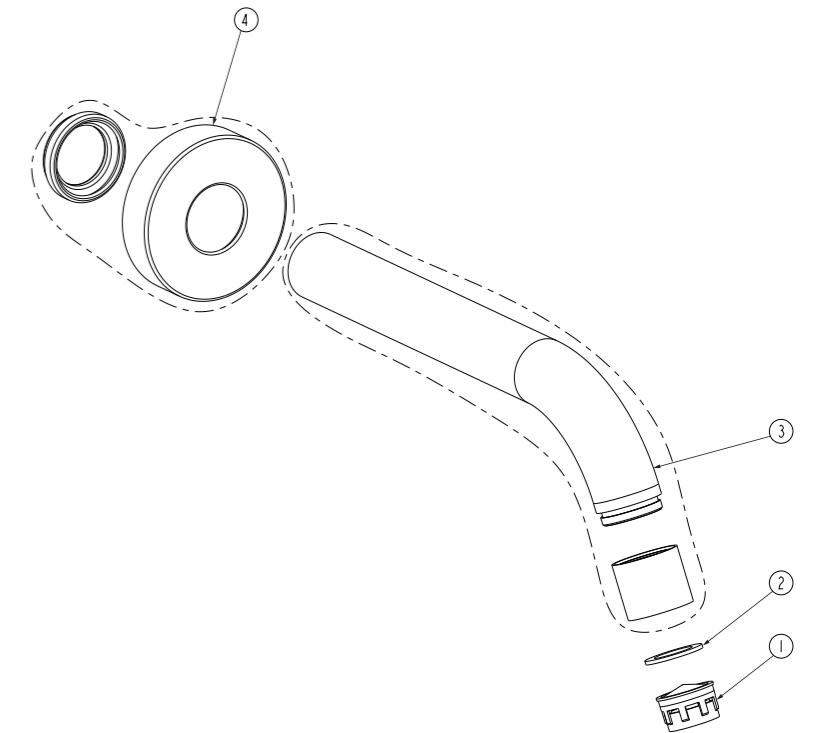
Disclaimer: Products in this specification manual must by regulation be installed by licensed and registered trade people. The manufacturer/distributor reserves the right to vary specifications or delete models from their range without prior notification. Dimensions are nominal measurements only. Dimensions and set-outs listed are correct at time of publication however the manufacturer/distributor takes no responsibility for printing errors. All ABI Products are designed in Australia. Copyright ABI Interiors 2019.

INSTALLATION PROCEDURE

- Ensure adequate brass thread is exposed
- Cut to length to suit spout
- Apply the thread tape to the outlet
- Screw the spout onto the outlet until spout is in correct position and
- Do not over tighten

EXPLODED VIEW

- | Item | Description | Code |
|------|-------------|------|
| 1 | Aerator | |
| 2 | Rubber Ring | |
| 3 | Spout | |
| 4 | Back Plate | |



Regularly clean with mild liquid detergent or soap and water



DO NOT use cream cleaners or bleach. These substances are abrasive



DO NOT use cleaning pads with abrasive surfaces as this may scratch the material