

SPECIFICATIONS

RECOMMENDED USE

Domestic

INSTALLATION

In-Wall

MATERIAL

HDPE Plastic

WATERMARK

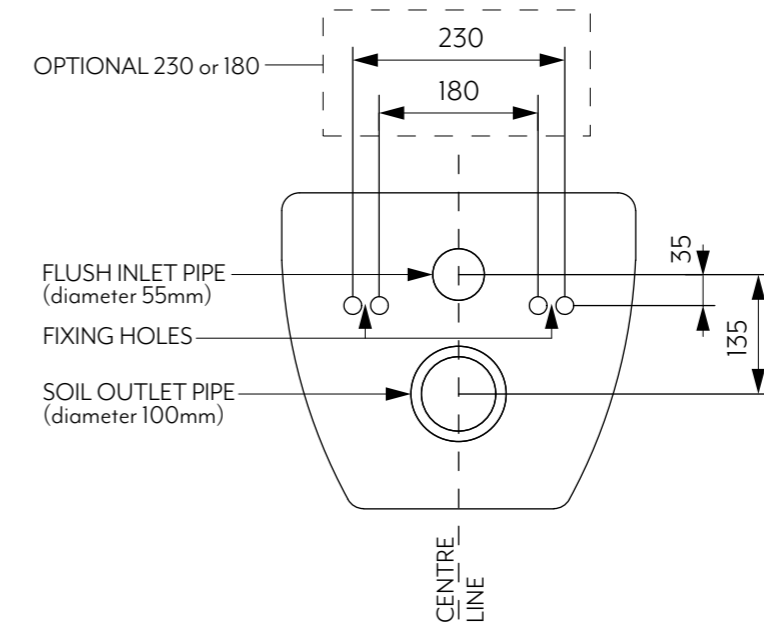
WMKA20080

WELS

L07248 – 4-Star, Full Flush: 4.6L, Half Flush: 2.8L, Average Flush: 3.2L

REQUIRED TOILET SETOUT

Note: This cistern can only be fitted with a wall hung toilet which corresponds with the following setout.



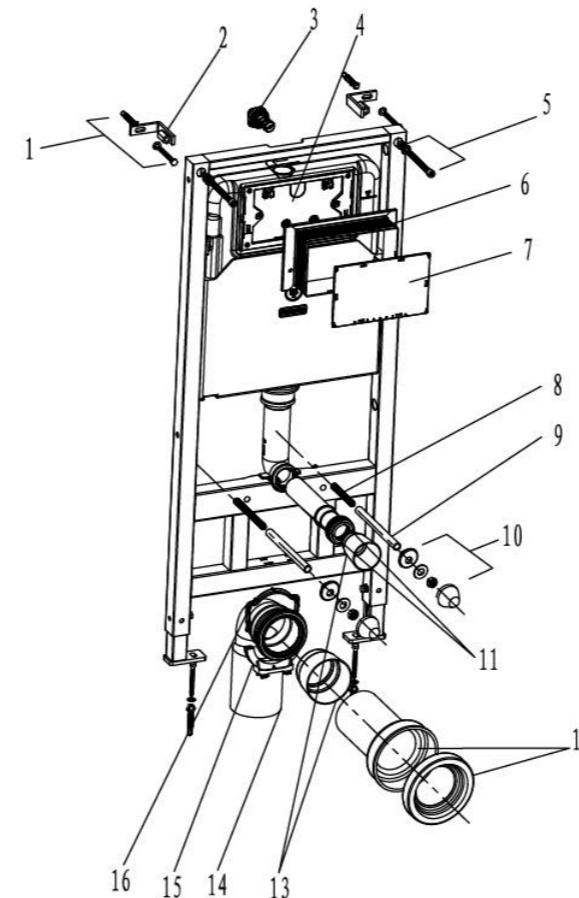
INSTALLATION GUIDE

1. Please adhere to the following installation instructions.

We shall not be responsible for failures and loss that are contributed to improper installation.

2. Please confirm the fixation location of cistern prior to installation and obtain the finished floor surface. Draw FFL on installation wall and follow it as baseline from ZERO (0) level.

3. The instructions have been composed based on the latest product specifications. We reserve the right to make modifications to the packaging and specifications without providing prior notification



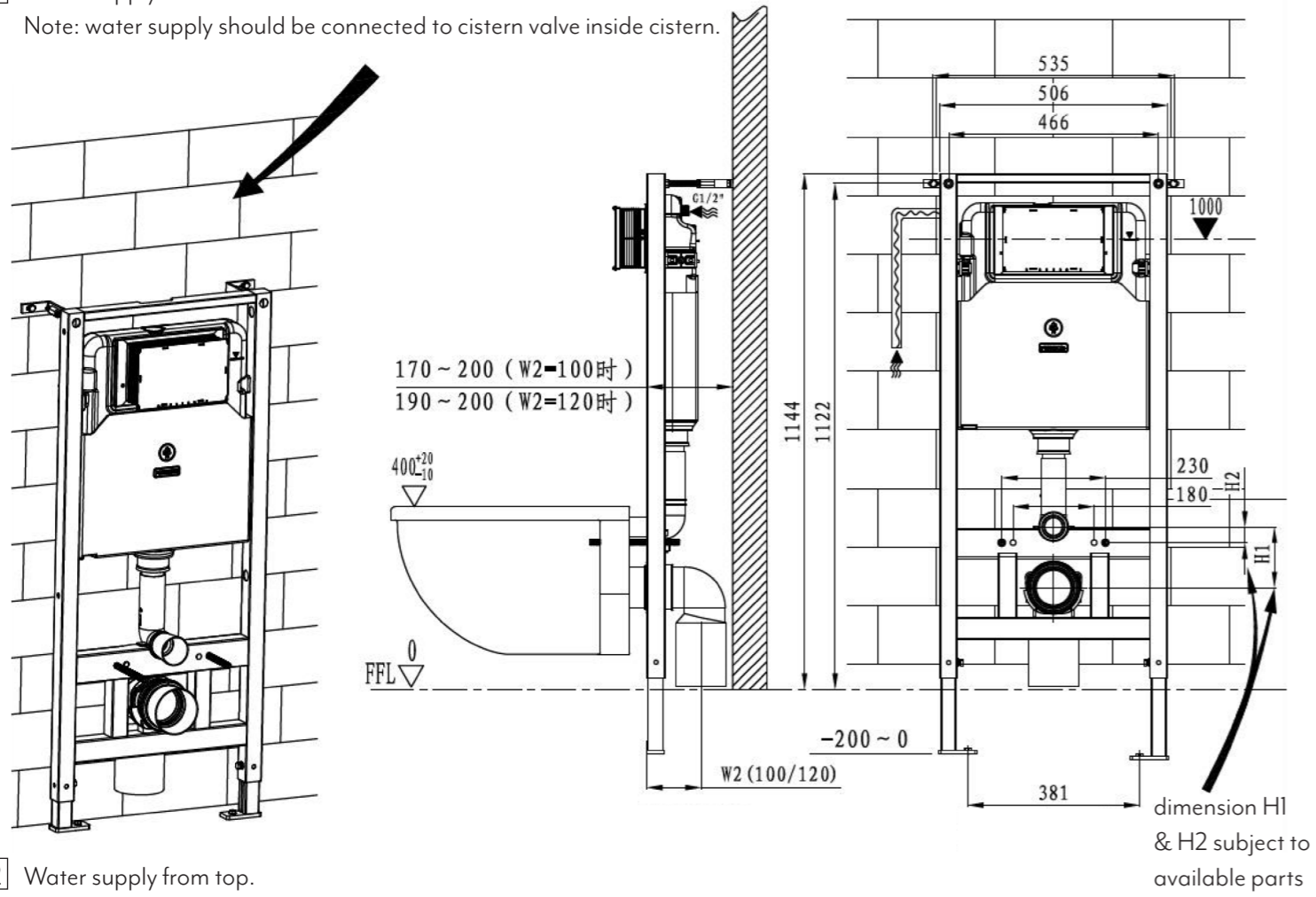
PARTS LIST

No.	Description	Qty	Function
1	Appropriate Fixings	4	Mounting of frame & wall bracket
2	Wall Bracket	2	Fixation of frame
3	Cistern Valve	1	Fill valve inlet and shut-off
4	Cistern Cover	1	Airproof tank and mounting of locking bracket
5	Plastic Holder	1	To reserve space for installation of actuator at wall building
7	Plastic Holder Cover	1	To prevent dust and impurities into tank at wall building
8	Connecting Screw	1	Water inlet to ceramic bowl
9	Protective Cover	2	To protect connecting screw at wall building
10	Ceramic bowl fixings	1	To mount ceramic bowl
11	Straight Tube	1	To join cistern into ceramic bowl
12	Connecting Pipe	1	(cutting in accordance with wall thickness)
13	Piping Stopper	1	To reserve space for straight tube and connecting pipe.
14	Draining Syphon	1	To discharge liquid and solid waste from ceramic bowl
15	Draining Syphon Holder	1	To mount draining syphon
16	Mounting Bracket	1	

1 General dimensions and water supply drawings

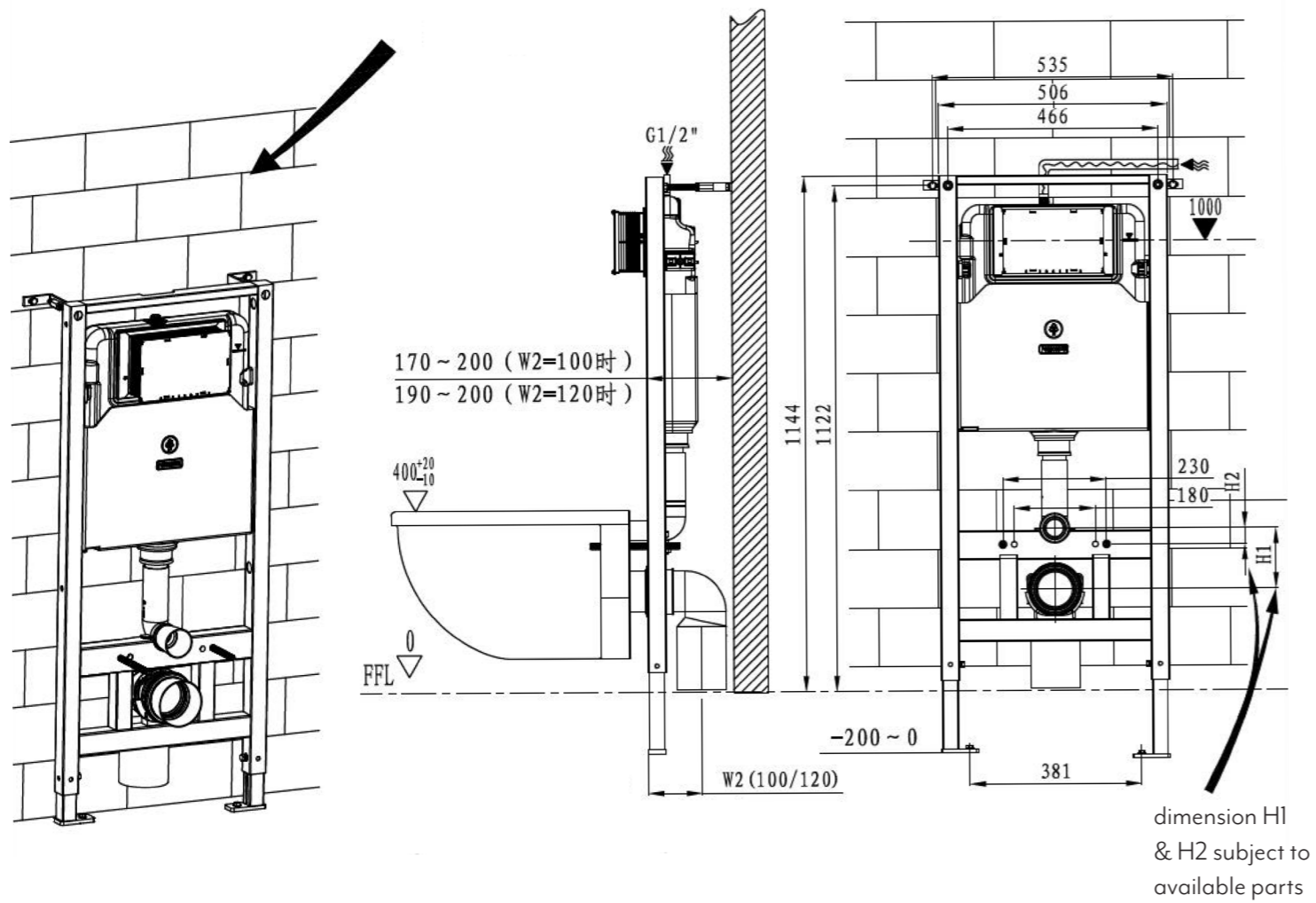
1 Water supply from back.

Note: water supply should be connected to cistern valve inside cistern.

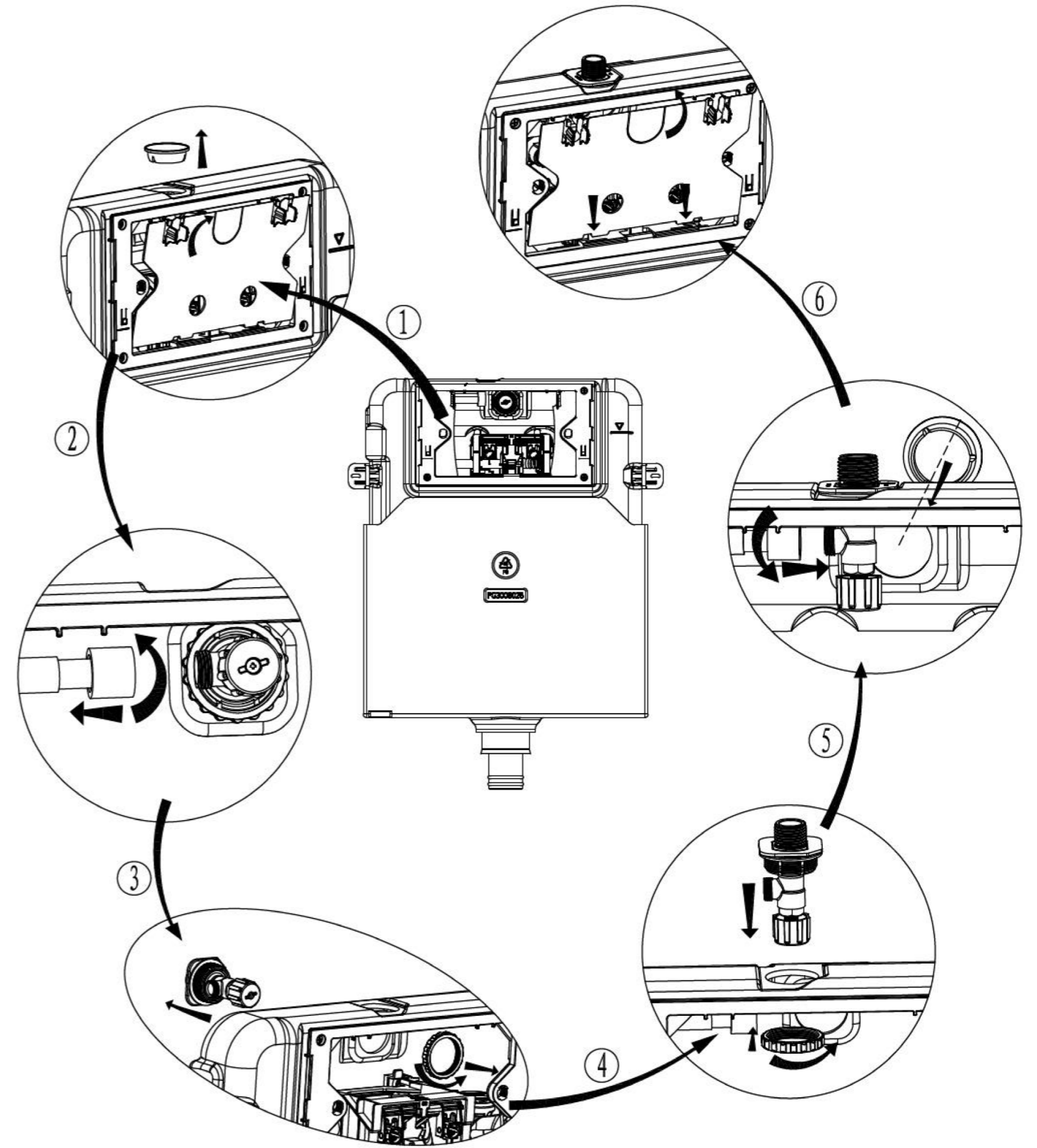


2 Water supply from top.

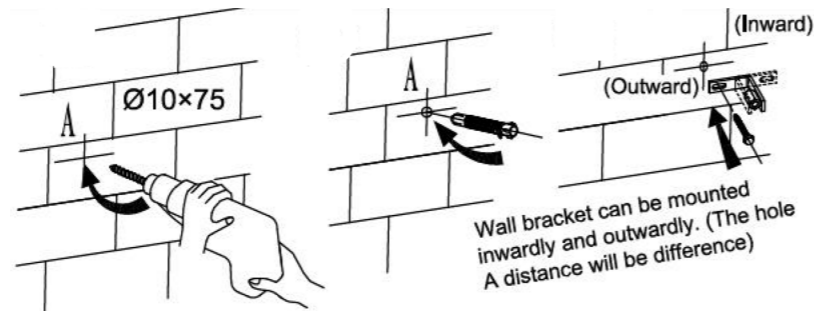
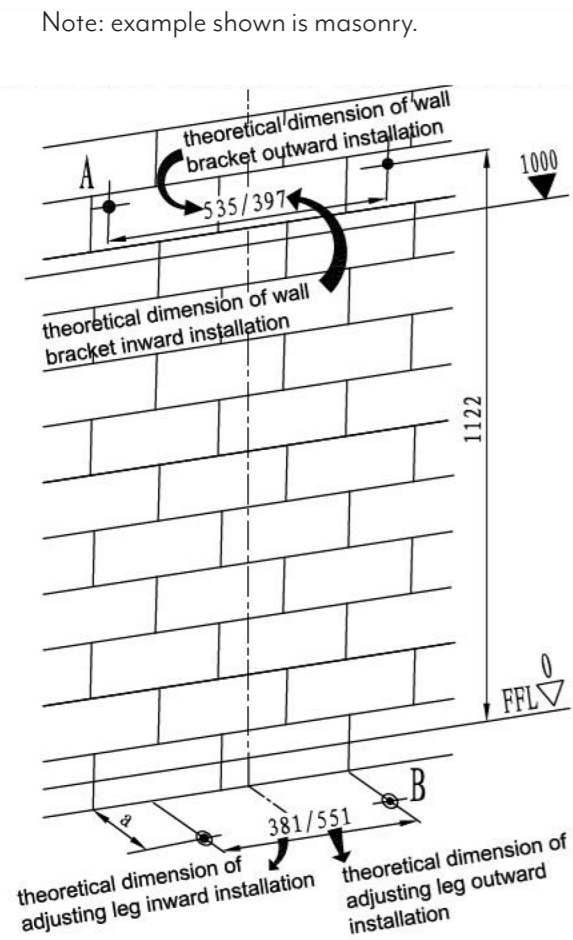
Note: water supply should be connected to angle valve inside cistern.



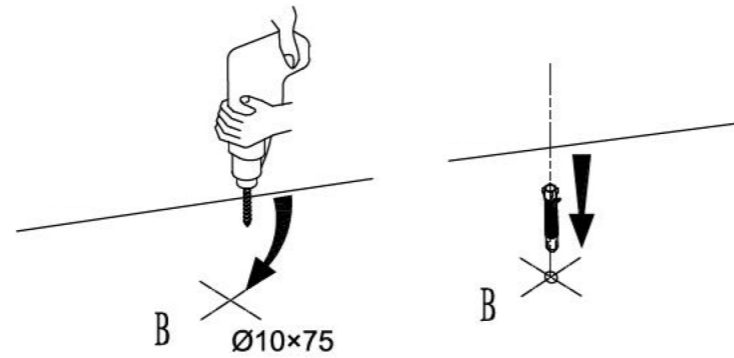
Note: In the case where back water supply is not feasible in installation, switch to top water supply as per drawing below;



- ② Drill holes into structural wall or frame and floor and fix appropriate fixings.
Note: example shown is masonry.

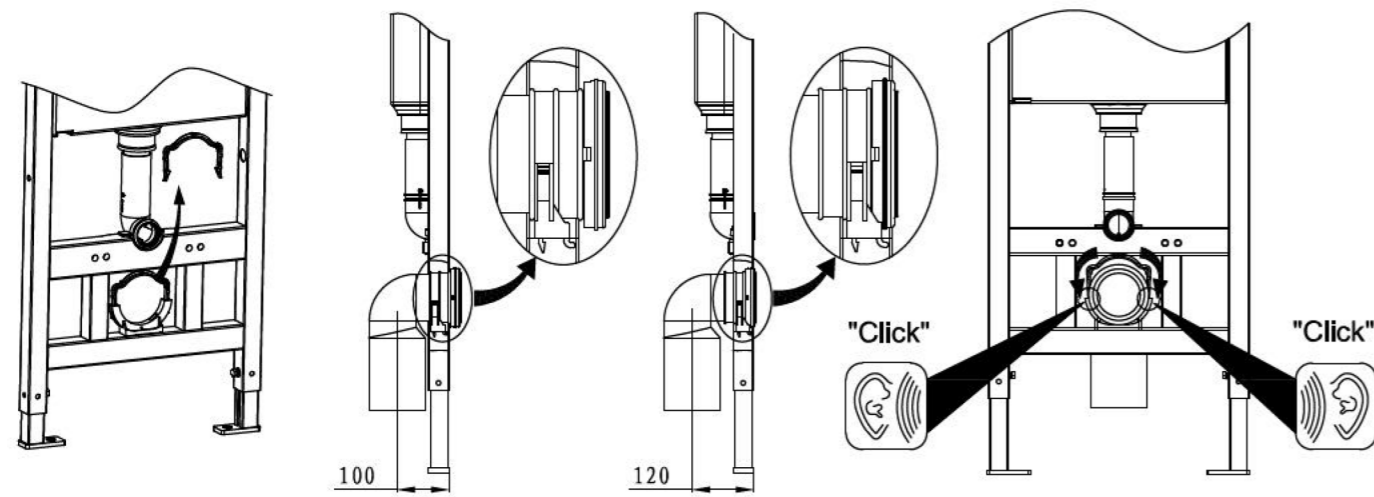


- ① drill $\text{Ø}10\text{mm}$ by 75mm deep hole ② Insert expansion screw ③ fix wall bracket into hole



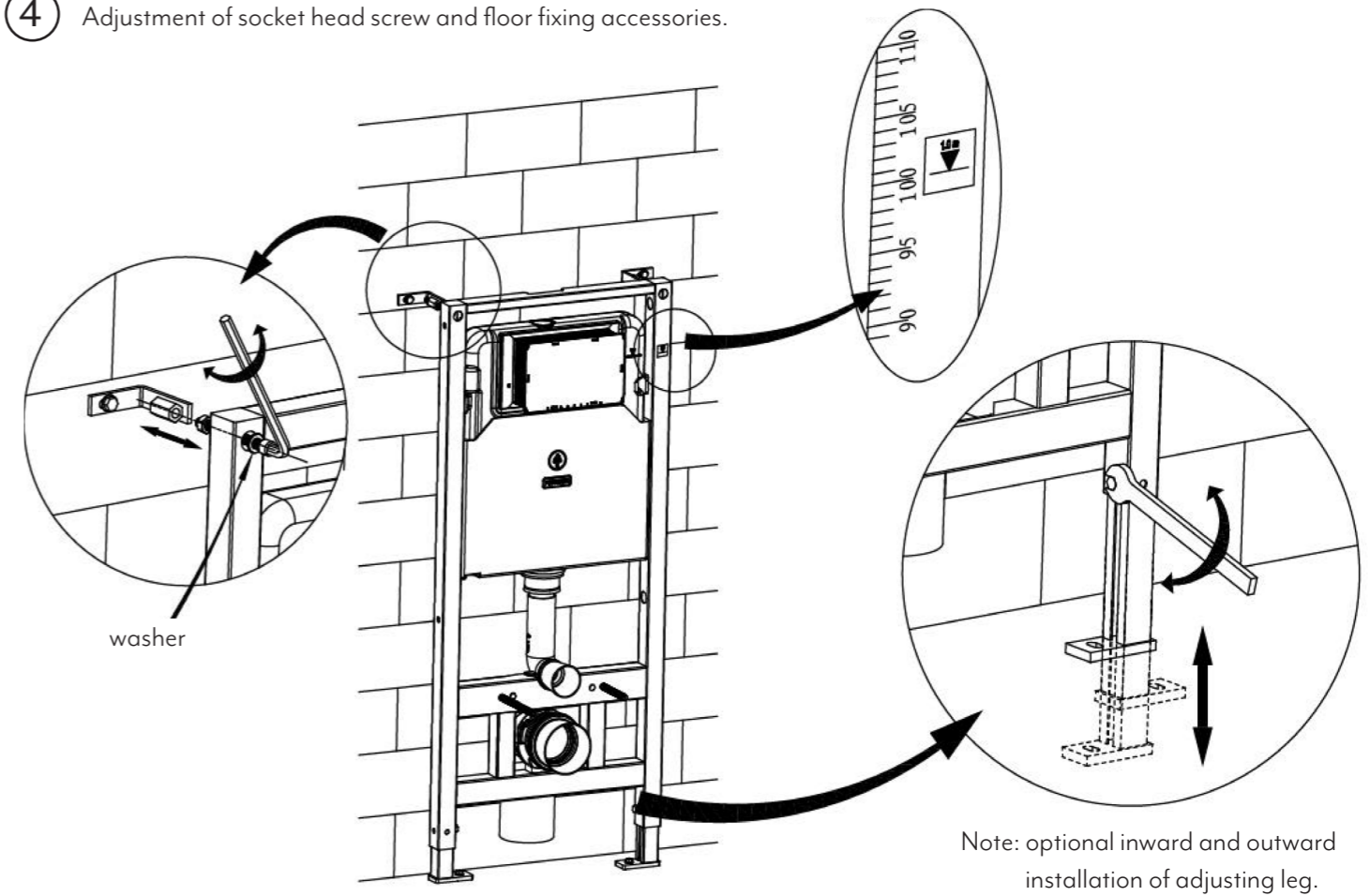
- ① drill $\text{Ø}10\text{mm}$ by 75mm deep hole ② Insert expansion screw

- ③ Installation of draining syphon

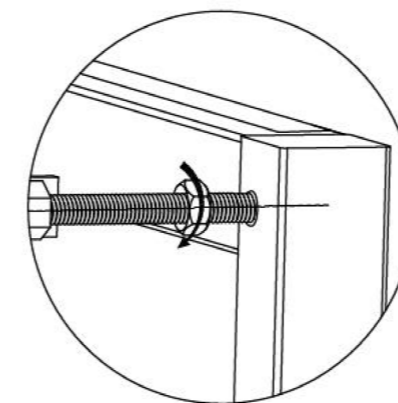


- ① Remove the mounting bracket ② Mount draining syphon (optional distance 120 or 100) ③ Fasten the mounting bracket

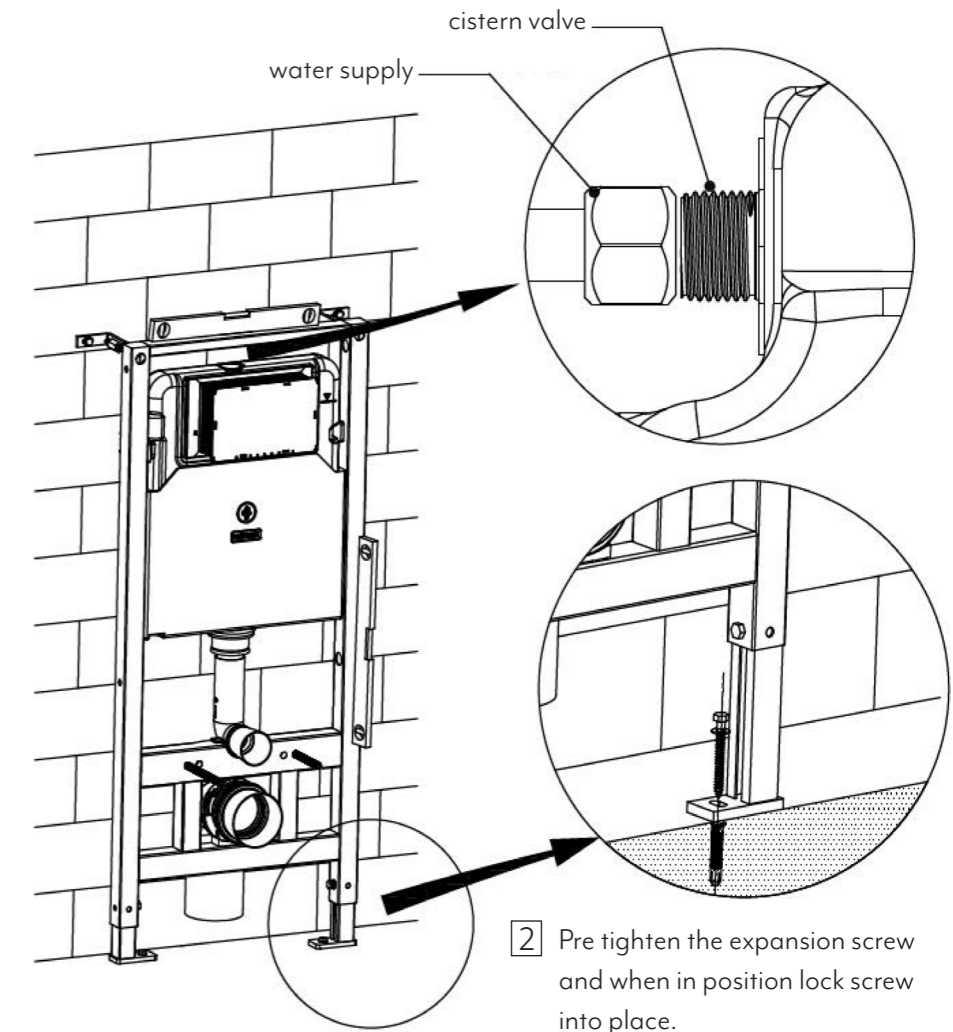
- ④ Adjustment of socket head screw and floor fixing accessories.



- ⑤ Adjusting and fixing mounting frame.

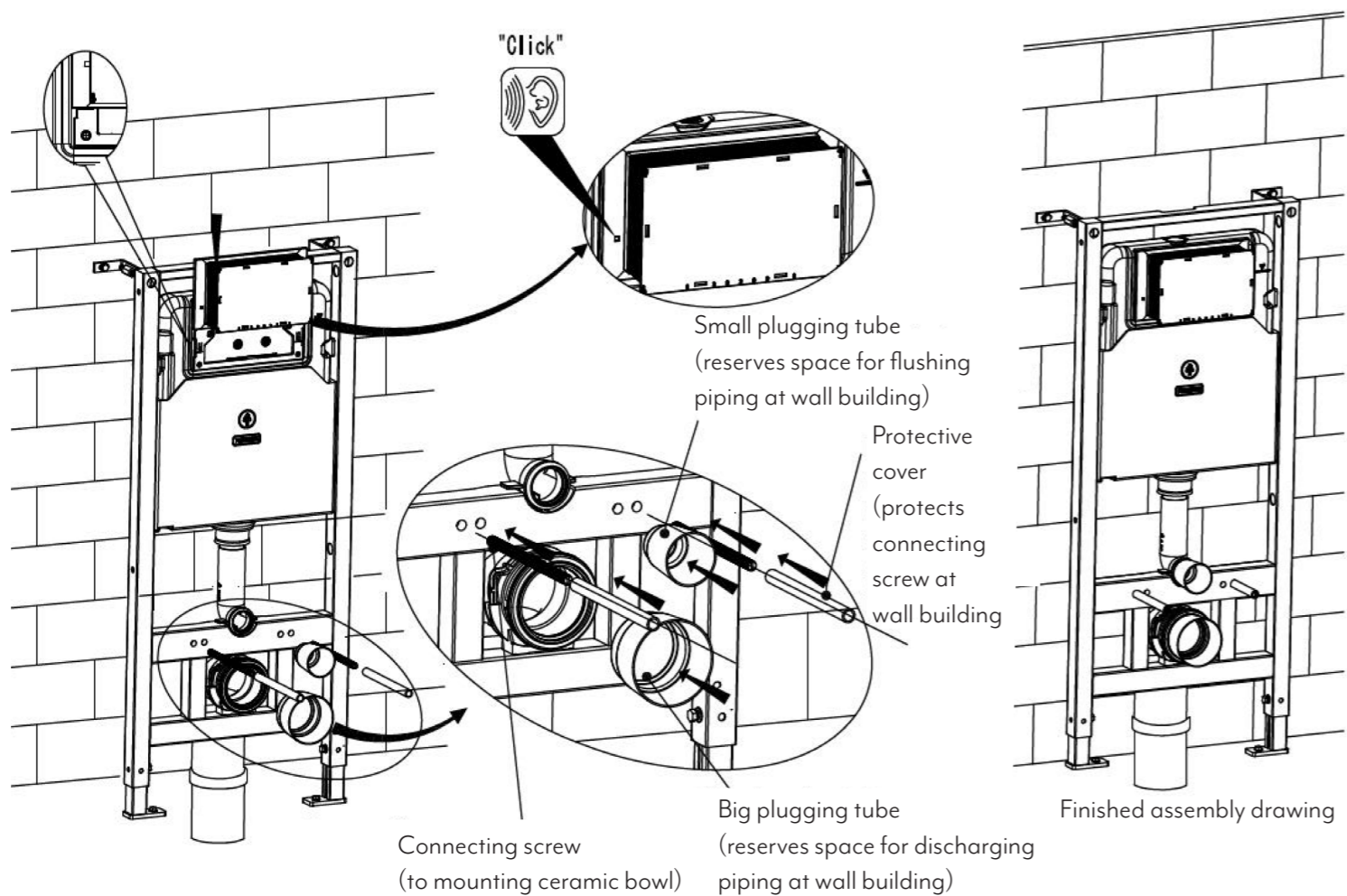


- ① Pre tighten the nut and when frame location is seated, lock the nut.

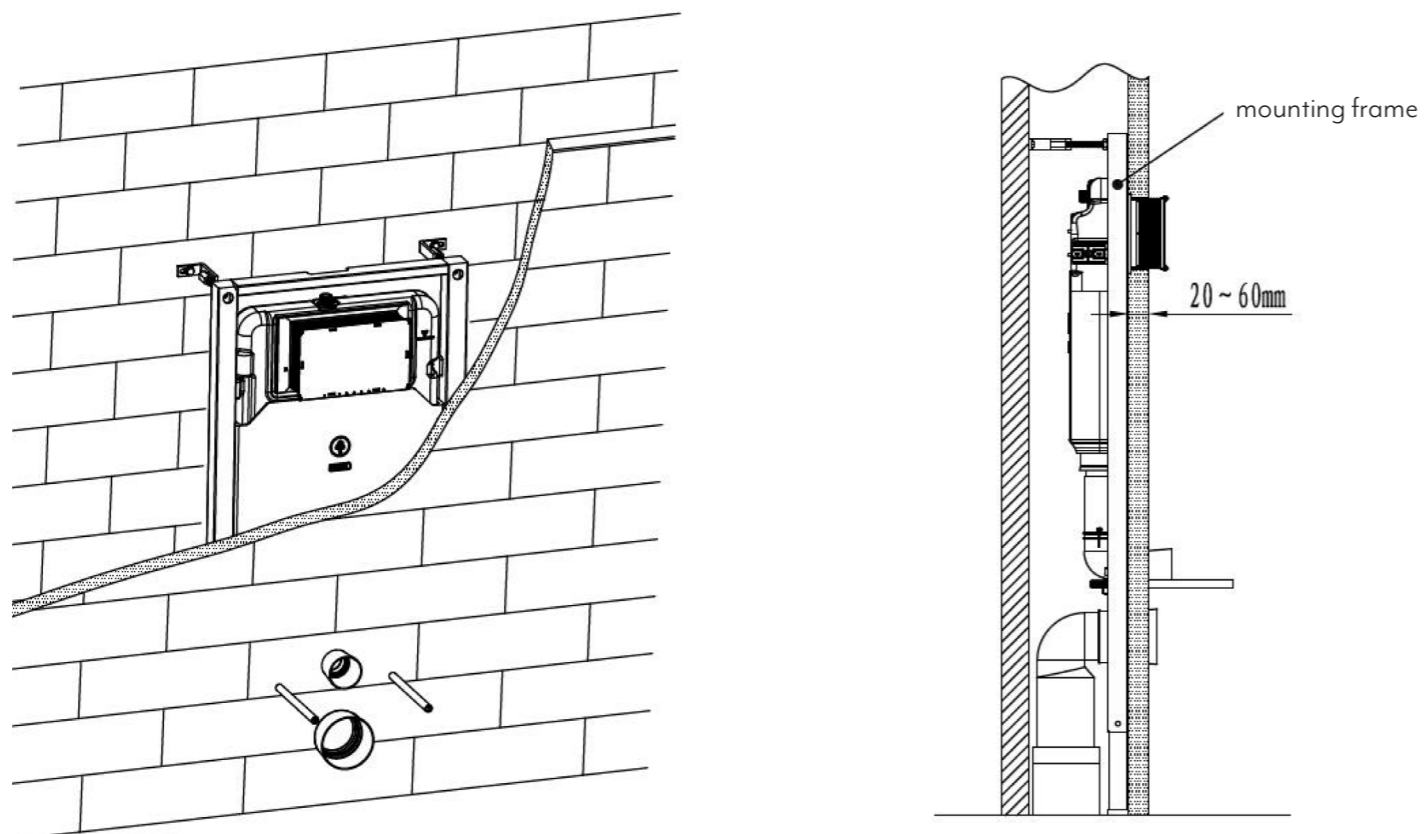


- ② Pre tighten the expansion screw and when in position lock screw into place.

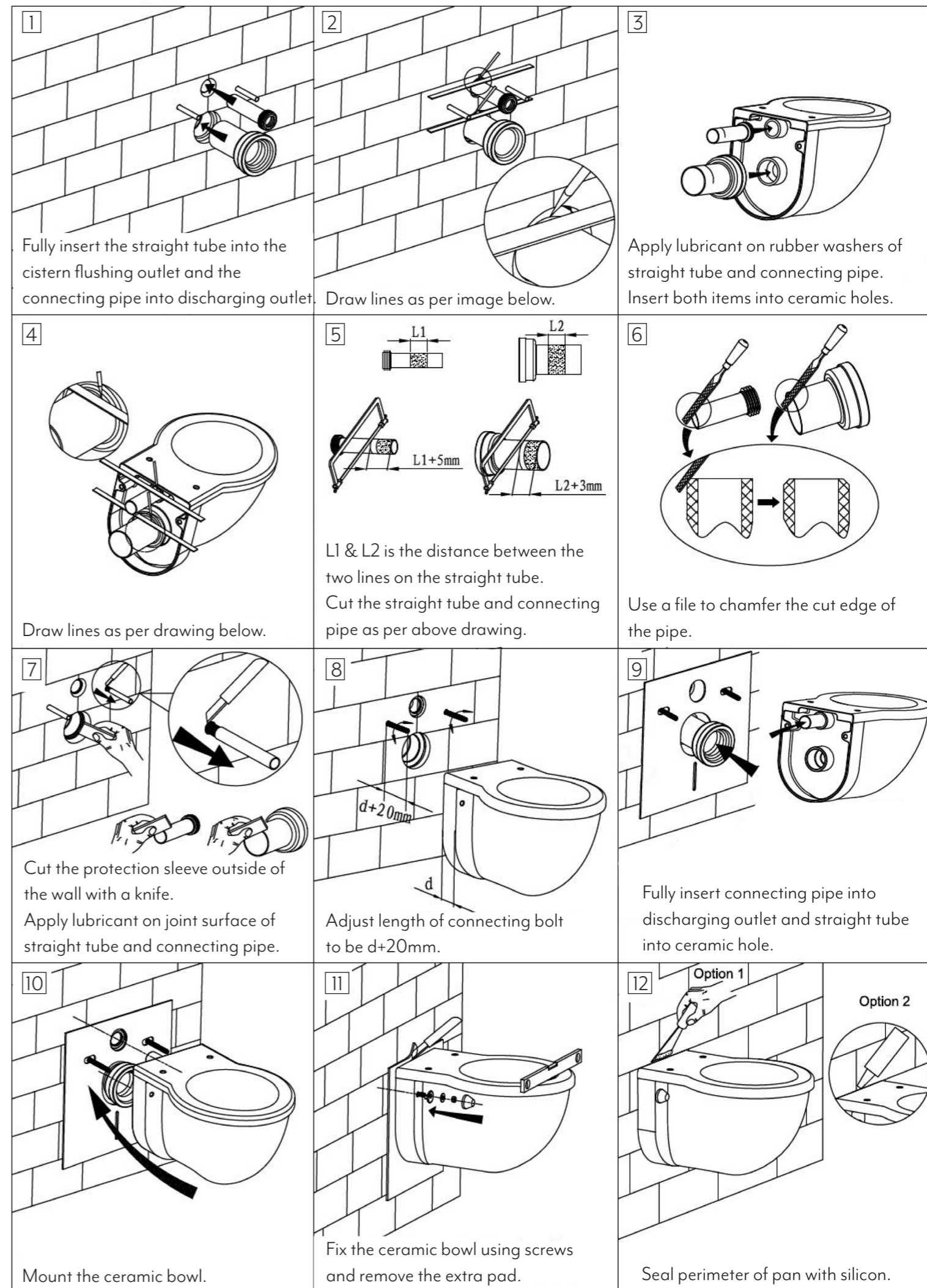
6 Mounting of installation accessories



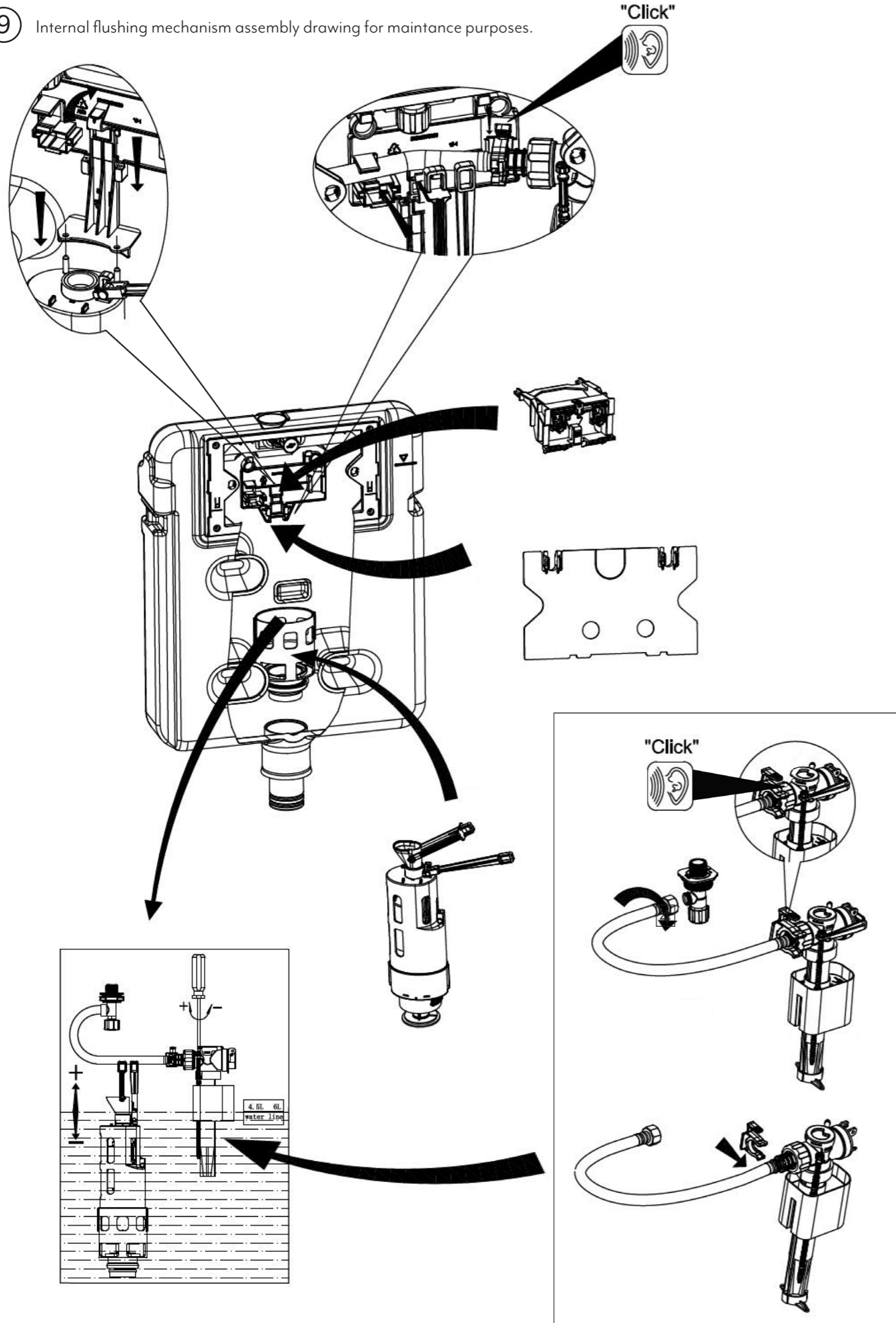
7 Wall thickness range 20-60mm
(from frame outside to finished wall)



8 Mounting ceramic bowl



9 Internal flushing mechanism assembly drawing for maintenance purposes.



ABI