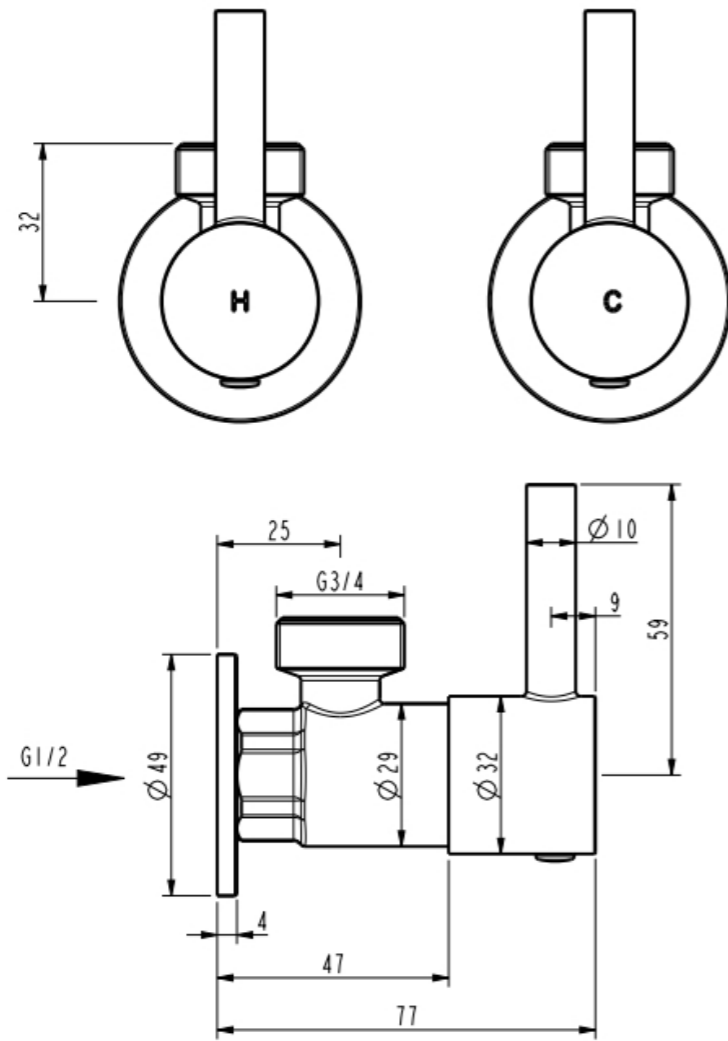


WASHING MACHINE STOPS



Note: Dimensions are nominal measurements only

SPECIFICATIONS

RECOMMENDED USE

Domestic

MATERIAL

Solid Brass

PRESSURE RATING

Recommended minimum working pressure 0.2 Bar
Recommended maximum working pressure 5 Bar
Hot and cold water inlet pressure should be equal

TEMPERATURE RATING

Maximum continuous working temperature 75°C
If the water temperature exceeds 75°C, an approved tempering valve must be fitted

SUITABLE HOT WATER UNITS

Storage tank: Yes
Continuous Flow: Yes
Gravity Feed: Suitable

WARRANTY

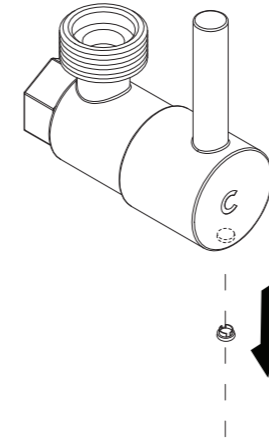
Structure: 25 years | Finish: 5 years | Cartridge: 10 years

Disclaimer: Products in this specification manual must by regulation be installed by licensed and registered trade people. The manufacturer/distributor reserves the right to vary specifications or delete models from their range without prior notification. Dimensions are nominal measurements only. Dimensions and set-outs listed are correct at time of publication however the manufacturer/distributor takes no responsibility for printing errors. All ABI Products are designed in Australia. Copyright ABI Interiors 2019.

ALTERNATIVE HANDLE OPTION

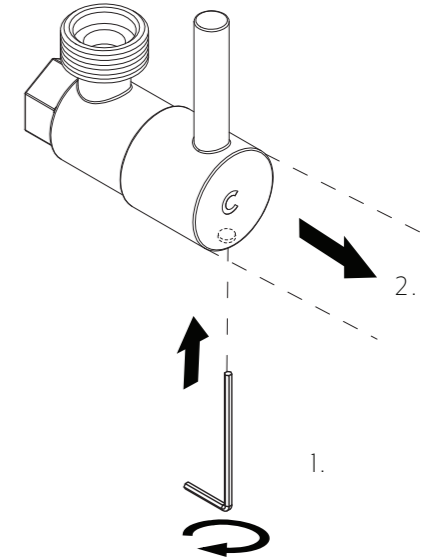
Note: This product must be installed by a licensed tradesperson. This is a general installation guide - there are many factors that are involved that can alter the installation method.

1. Remove grub screw cover from underside of handle

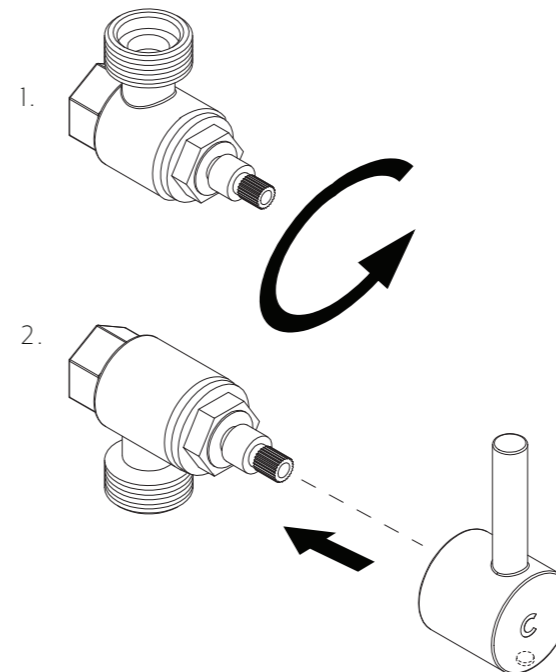


2. 1. Insert allen key into grub screw hole and turn anti-clockwise to loosen

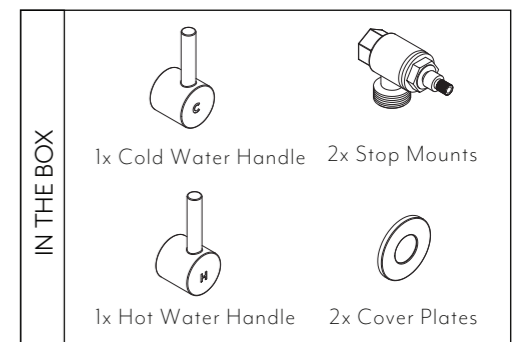
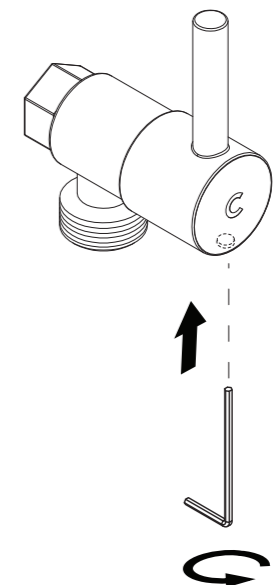
2. Remove handle from mount



3. 1. Turn stop mount 180 degrees so that the inlet is facing down
2. Place handle back on stop mount



4. Insert allen key into grub screw hole and rotate clock-wise to tighten. Mount grub screw cover back into hole



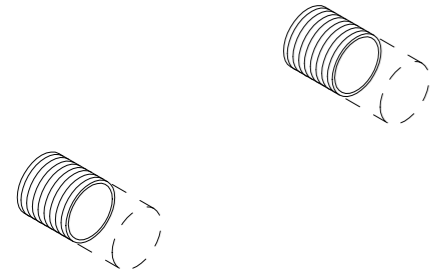
Note: Allen key not included.



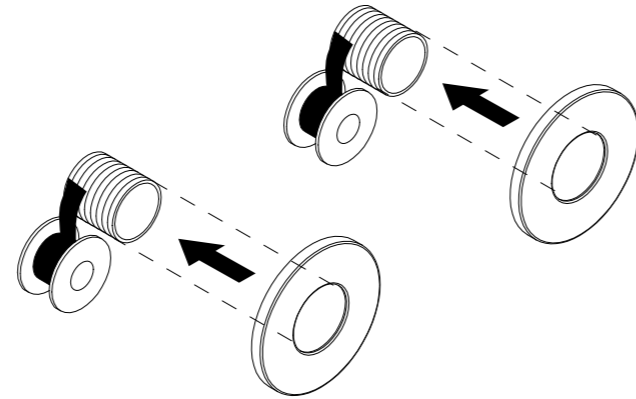
INSTALLATION GUIDE - INLET UP

Note: This product must be installed by a licensed tradesperson. This is a general installation guide - there are many factors that are involved that can alter the installation method.

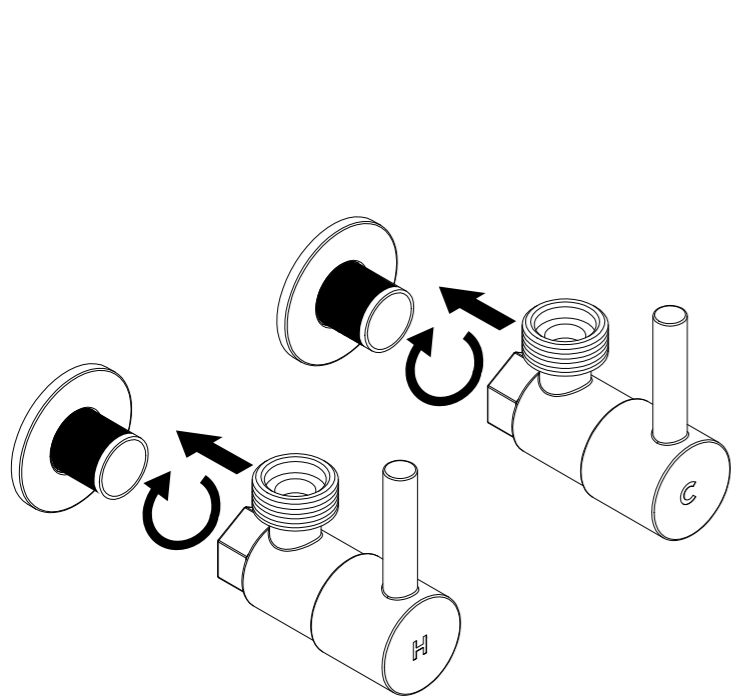
- 1 Cut BP male thread to suit washing machine stop female thread length.



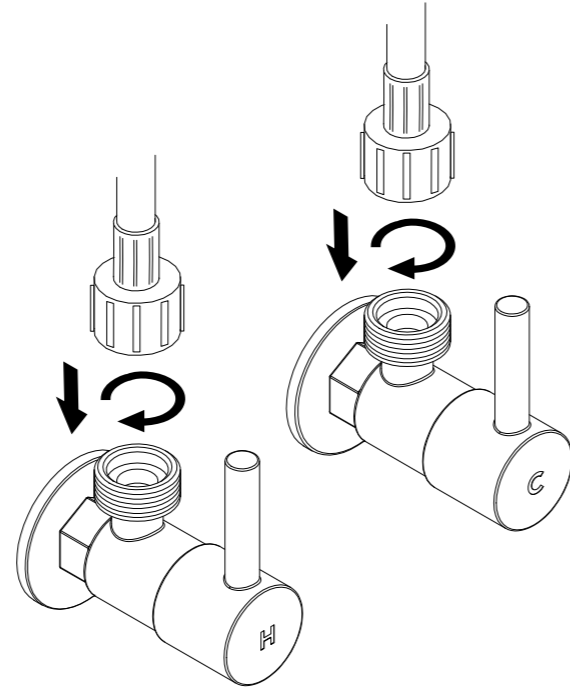
- 2 Apply tape to BP male thread & fit backplate.



- 3 Fit washing machine stops to BP male threads.



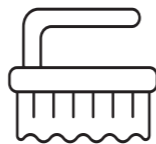
- 4 Fit 3/4 hot and cold pipes to washing machine stops



Regularly clean with mild liquid detergent or soap and water



DO NOT use cream cleaners or bleach. These substances are abrasive



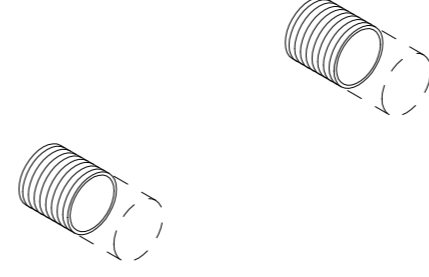
DO NOT use cleaning pads with abrasive surfaces as this may scratch the material



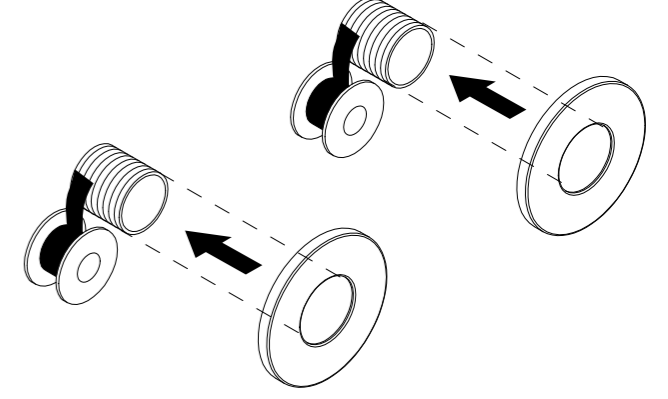
INSTALLATION GUIDE - INLET DOWN

Note: This product must be installed by a licensed tradesperson. This is a general installation guide - there are many factors that are involved that can alter the installation method.

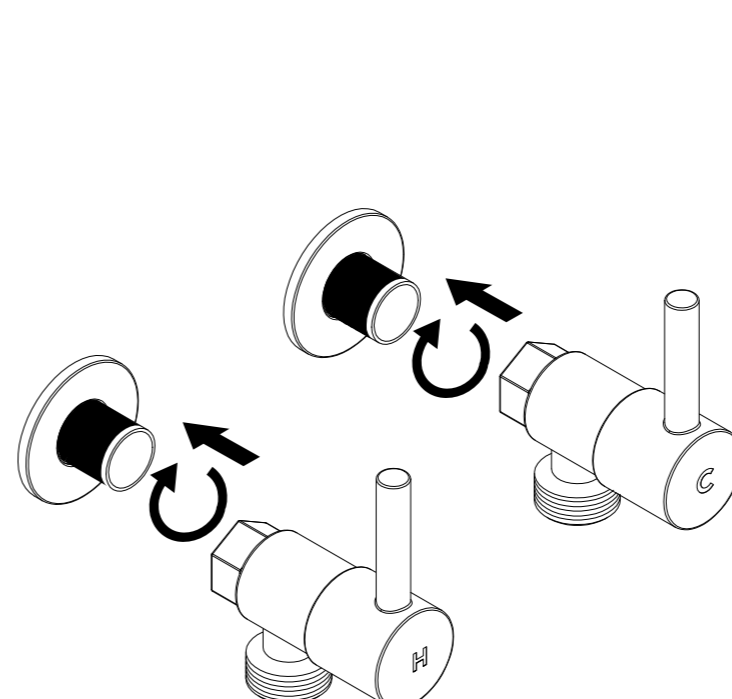
- 1 Cut BP male thread to suit washing machine stop female thread length.



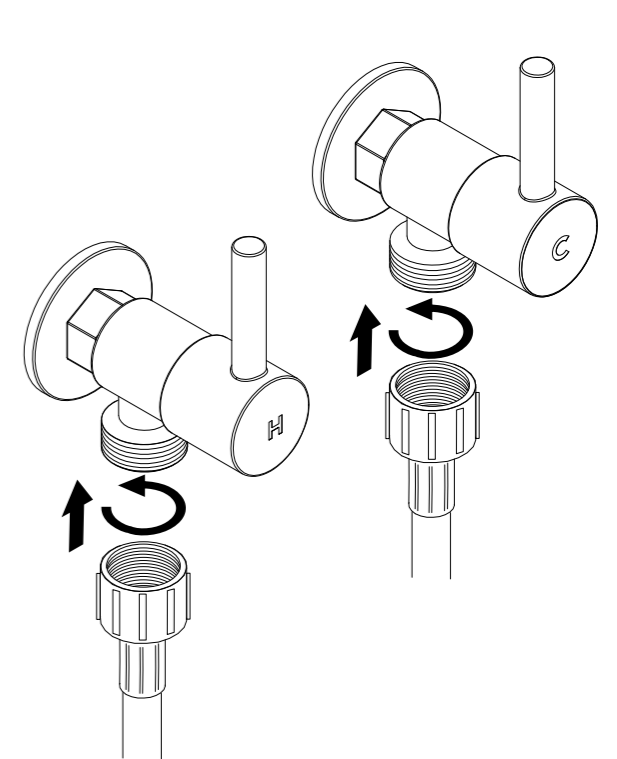
- 2 Apply tape to BP male thread & fit backplate.



- 3 Fit washing machine stops to BP male threads.



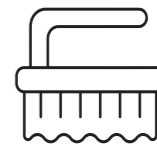
- 4 Fit 3/4 hot and cold pipes to washing machine stops



Regularly clean with mild liquid detergent or soap and water



DO NOT use cream cleaners or bleach. These substances are abrasive



DO NOT use cleaning pads with abrasive surfaces as this may scratch the material