

**Note:** Dimensions are nominal measurements only

## SPECIFICATIONS

<b>RECOMMENDED USE</b>	Domestic, Commercial
<b>MATERIAL</b>	304 Stainless Steel
<b>INSTALLATION</b>	Undermount, Top Mount
<b>OVERFLOW</b>	Yes
<b>CAPACITY</b>	Left: 31.2L   Right: 31.2L

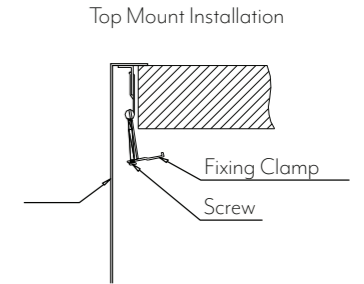
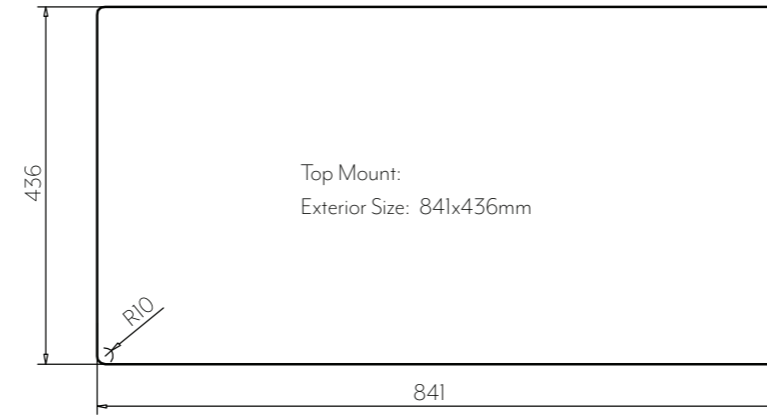
Disclaimer: Products in this specification manual must by regulation be installed by licensed and registered trade people. The manufacturer/distributor reserves the right to vary specifications or delete models from their range without prior notification. Dimensions are nominal measurements only. Dimensions and set-outs listed are correct at time of publication however the manufacturer/distributor takes no responsibility for printing errors. All ABI Products are designed in Australia. Copyright ABI Interiors Pty Ltd 2021.

## INSTALLATION GUIDE

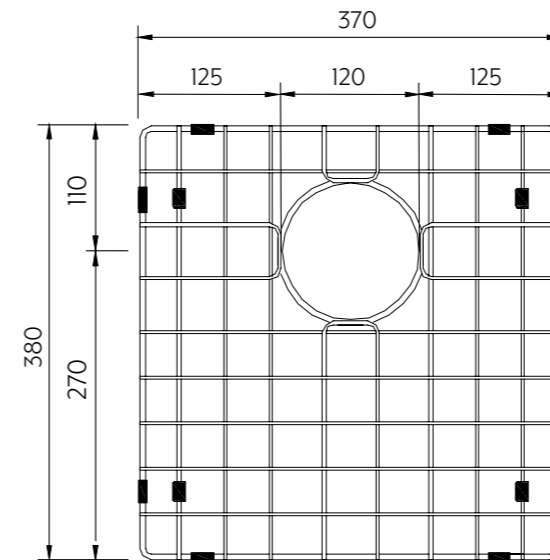
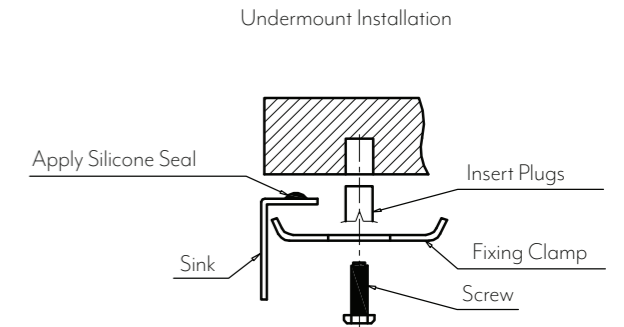
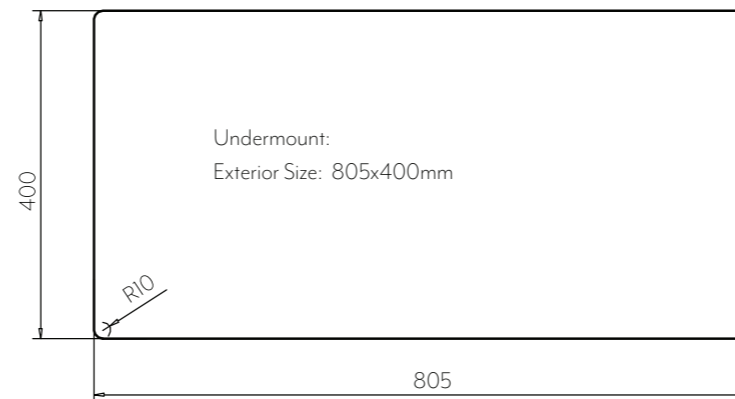
Note: This product must be installed by a licensed tradesperson. This is a general installation guide - there are many factors that are involved that can alter the installation method. For installs outside Australia and New Zealand the standards in your respective country must be adhered to by your licensed tradesperson.

### CUT-OUT TEMPLATE

#### TOP MOUNT INSTALLATION



#### UNDERMOUNT INSTALLATION



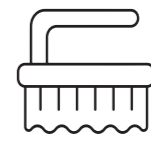
### RACK DIMENSIONS



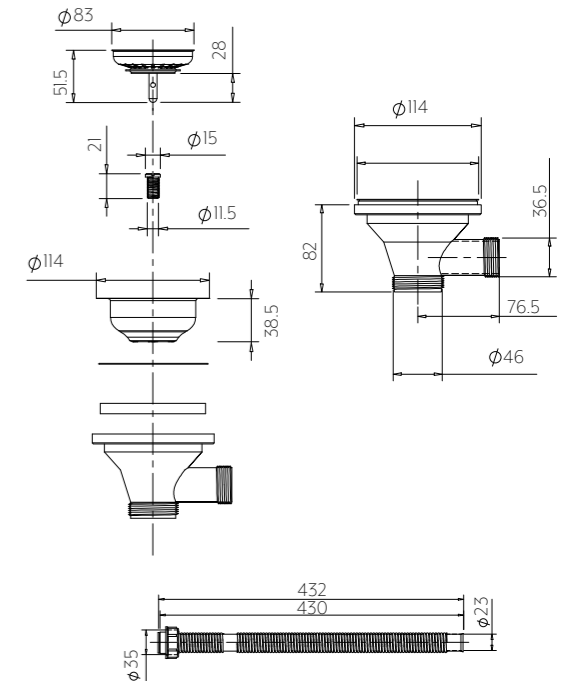
Regularly clean with mild liquid detergent or soap and water



DO NOT use cream cleaners or bleach. These substances are abrasive



DO NOT use cleaning pads with abrasive surfaces as this may scratch the material



### BASKET WASTE DIMENSIONS