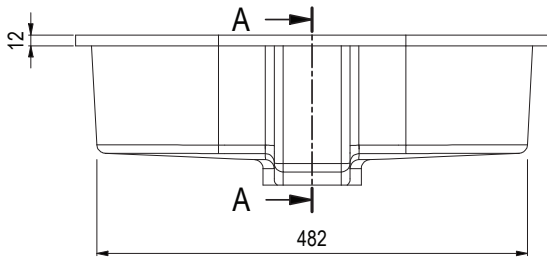
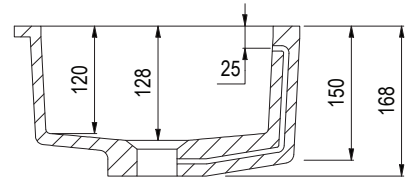




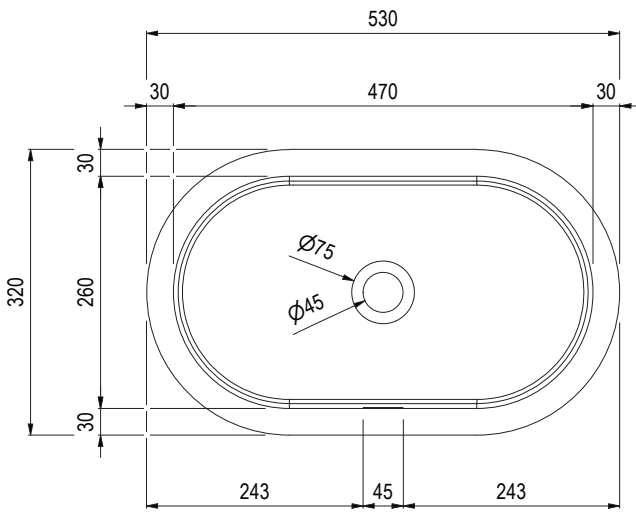
# ZURI ROUND UNDERMOUNT BASIN SINK



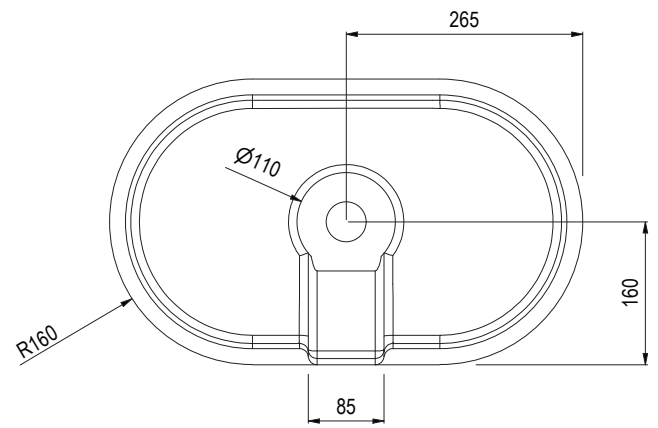
Back View ( 1 : 5 )



Section A-A ( 1 : 5 )



Top View ( 1 : 5 )



Bottom View ( 1 : 5 )

**Note:** Dimensions are nominal measurements only

## SPECIFICATIONS

### RECOMMENDED USE

Domestic

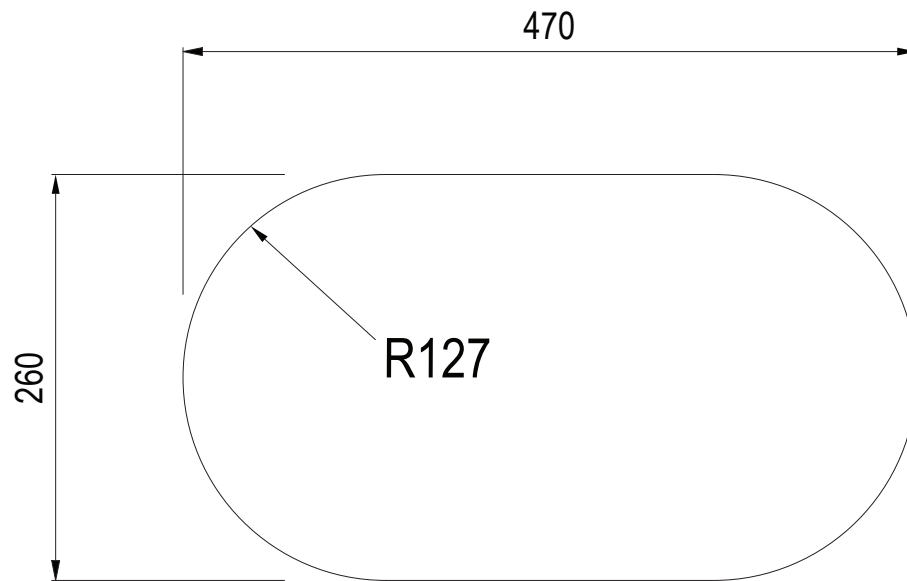
### MATERIAL

Solid Surface

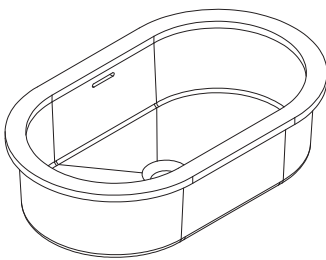
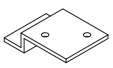
### INSTALLATION

Under Mount

UNDERMOUNT INSTALLATION



**Note: Product does not include waste basket**

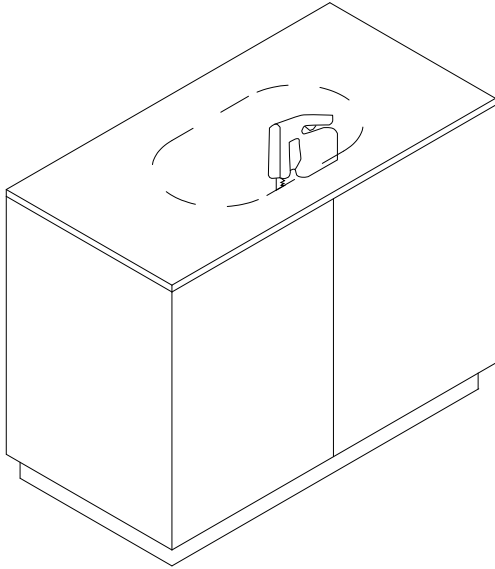
<p><b>What's in the Box</b></p>		<p>1 x Sink</p>
		<p>4 x Mounting Bracket</p>

# INSTALLATION GUIDE - UNDERMOUNT SINK

Note: This product must be installed by a licensed tradesperson. This is a general installation guide - there are many factors that are involved that can alter the installation method.

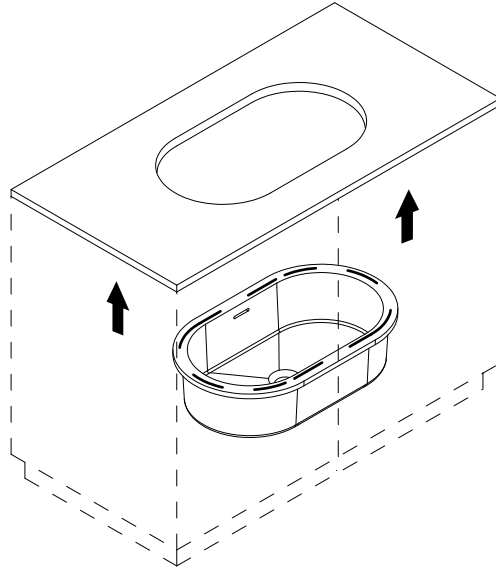
- 1 Mark out desired location of sink using the cut out template dimensions provided.

Cut out sink hole using preferred method.



- 2 Clean around the edge of benchtop sink hole & perimeter of sink rim.

Position the sink in the cabinet below the benchtop hole. Apply adhesive to the perimeter of sink rim & lift into position.



- 3 Lay a piece of timber across the benchtop hole & position in line with sink hole below.

Place clamp through the sink hole & tighten the clamp to hold the sink in place. Wipe away any excess adhesive around benchtop opening.

Note: Use rags to protect surfaces when either the clamp or timber is making contact with the benchtop or sink.

- 4 Depending on material of benchtop mount brackets using either 1. adhesive, or 2. provided screws.

1. Apply adhesive to the mounting bracket & fix it to the underside of the benchtop & sink rim. Repeat brackets at regular intervals. Wipe away any excess adhesive.

2. Screw mounting brackets into benchtop at regular intervals. Mark and predrill holes if required.

