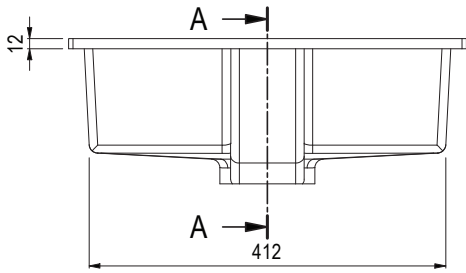
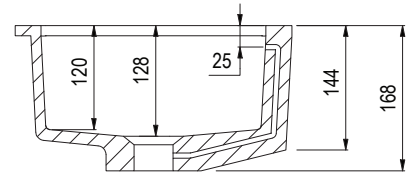




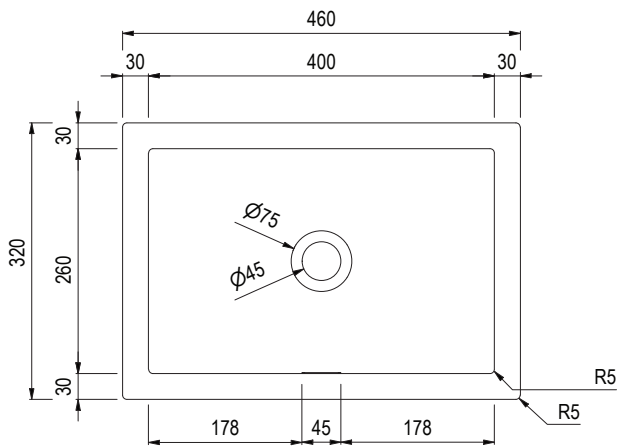
ZURI RECTANGLE UNDERMOUNT BASIN



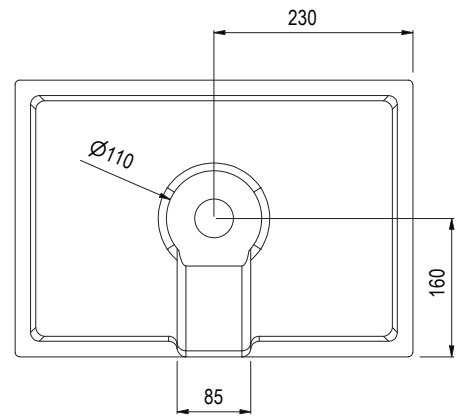
Back View (1 : 5)



Section A-A (1 : 5)



Top View (1 : 5)



Bottom View (1 : 5)

Note: Dimensions are nominal measurements only

SPECIFICATIONS

RECOMMENDED USE

Domestic

MATERIAL

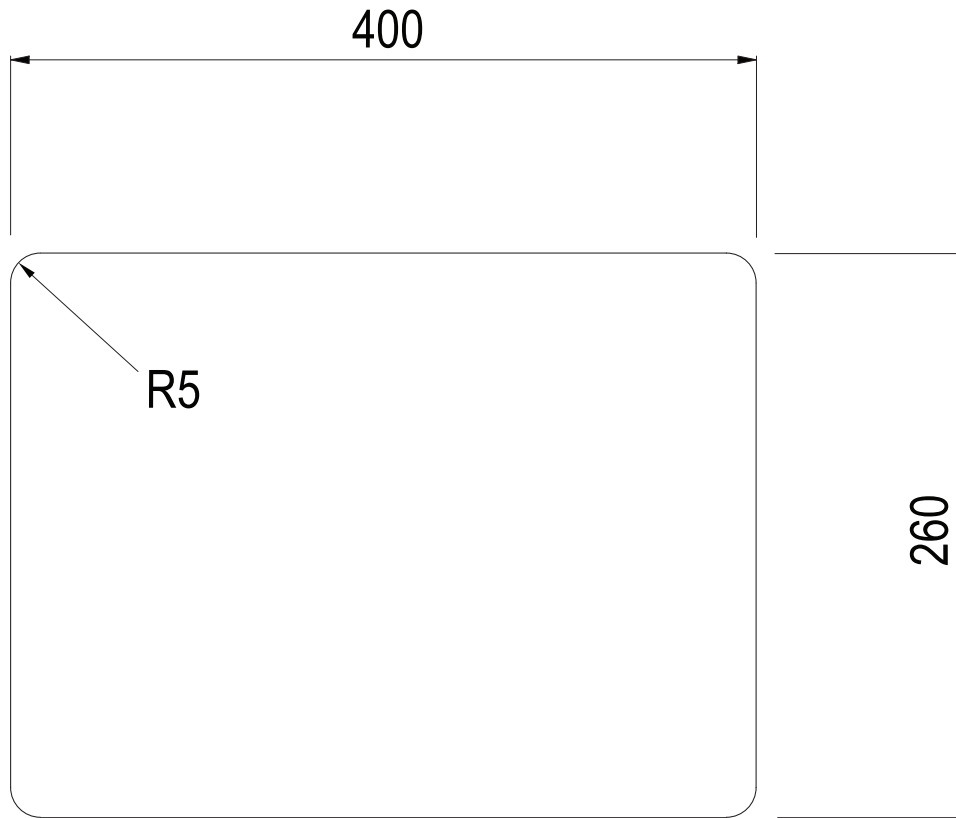
Solid Surface

INSTALLATION

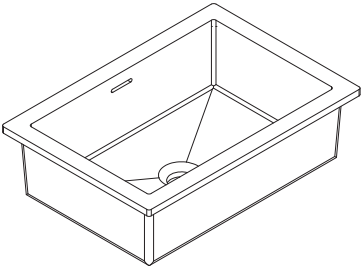
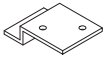
UnderMount

CUT-OUT TEMPLATES

UNDERMOUNT INSTALLATION



Note: Product does not include waste basket

<p>What's in the Box</p>	<div style="display: flex; flex-direction: column; align-items: center;"> <div style="display: flex; align-items: center; margin-bottom: 20px;">  <div style="margin-left: 20px;"> <p>1 x Sink</p> </div> </div> <div style="display: flex; align-items: center;">  <div style="margin-left: 20px;"> <p>4 x Mounting Bracket</p> </div> </div> </div>
--------------------------	---

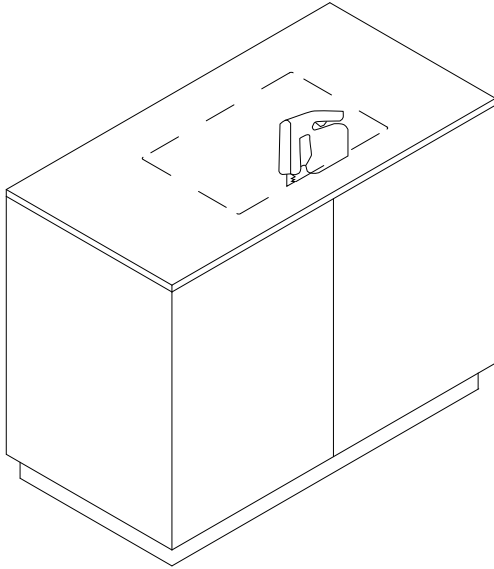
INSTALLATION GUIDE - UNDERMOUNT SINK



Note: This product must be installed by a licensed tradesperson. This is a general installation guide - there are many factors that are involved that can alter the installation method.

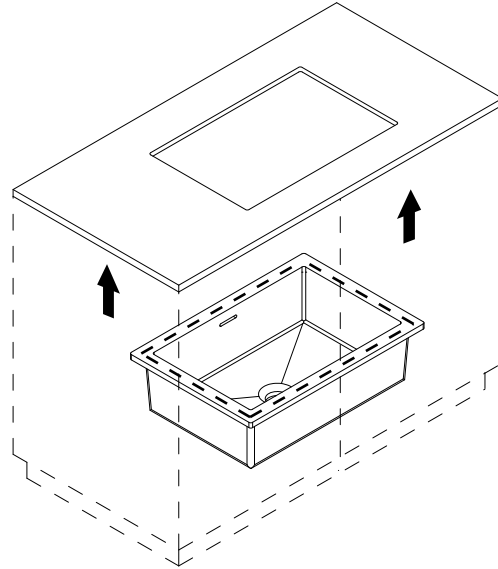
- 1 Mark out desired location of sink using the cut out template dimensions provided.

Cut out sink hole using preferred method.



- 2 Clean around the edge of benchtop sink hole & perimeter of sink rim.

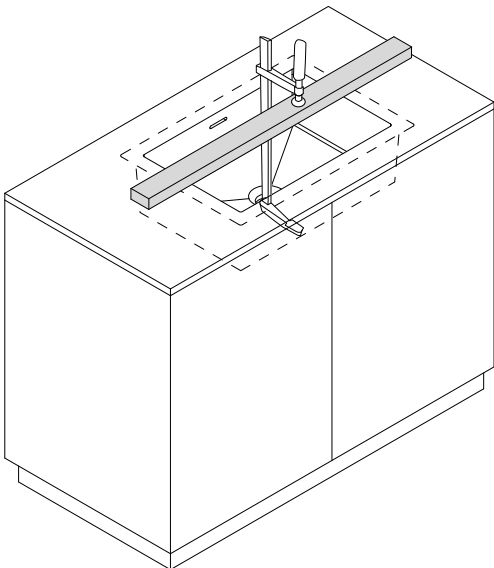
Position the sink in the cabinet below the benchtop hole. Apply adhesive to the perimeter of sink rim & lift into position.



- 3 Lay a piece of timber across the benchtop hole & position in line with sink hole below.

Place clamp through the sink hole & tighten the clamp to hold the sink in place. Wipe away any excess adhesive around benchtop opening.

Note: Use rags to protect surfaces when either the clamp or timber is making contact with the benchtop or sink.



- 4 Depending on material of benchtop mount brackets using either 1. adhesive, or 2. provided screws.

1. Apply adhesive to the mounting bracket & fix it to the underside of the benchtop & sink rim. Repeat brackets at regular intervals. Wipe away any excess adhesive.

2. Screw mounting brackets into benchtop at regular intervals. Mark and predrill holes if required.

