

Note: Dimensions are nominal measurements only

SPECIFICATIONS

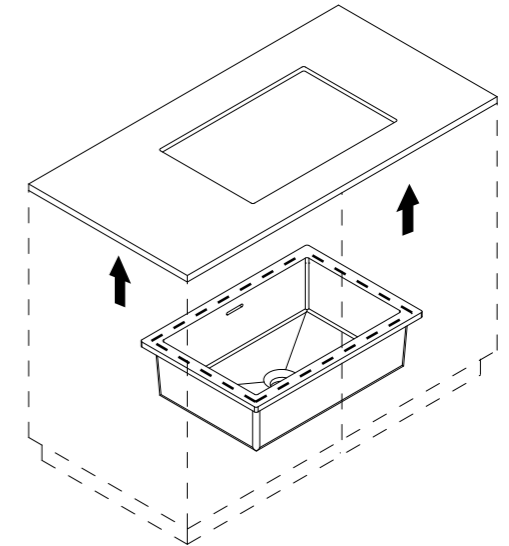
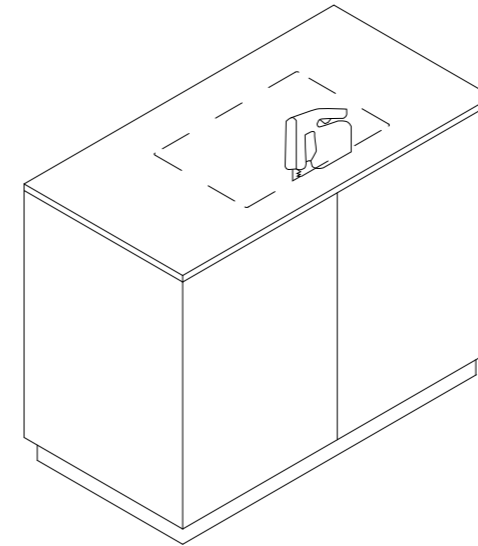
RECOMMENDED USE	Domestic
MATERIAL	Solid Surface
INSTALLATION	Bench Mount
OVERFLOW	Yes - Built-in (no overflow connectors required)
CAPACITY	9.4L
RIM THICKNESS	12mm

Disclaimer: Products in this manual must by law be installed by licensed and registered tradespeople in accordance with the relevant standards. ABI and the manufacturer/distributor reserve the right to vary specifications or delete models from their range without prior notification. Dimensions are nominal measurements only. The information listed is correct at the time of publication, however ABI and the manufacturer/distributor takes no responsibility for printing errors. Copyright © ABI Interiors 2021

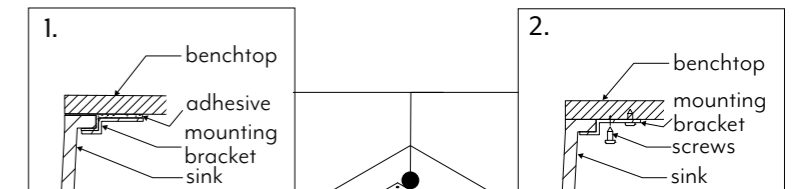
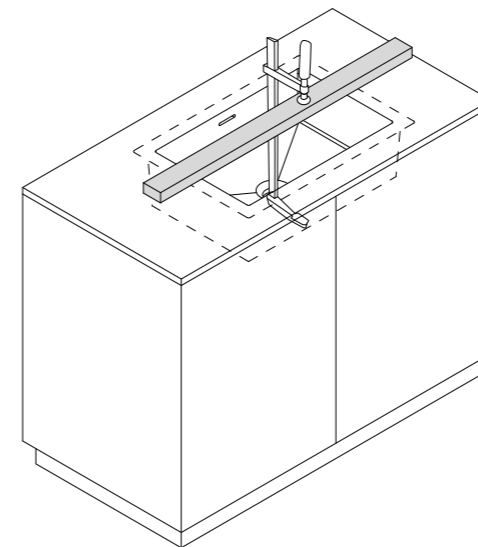
INSTALLATION GUIDE

Note: This product must be installed by a licensed plumber. This is a general installation guide - there are many factors that are involved that can alter the installation method. This product install must comply with AS/NZS 3500.

- 1 Mark out desired location of sink using the cut out template dimensions provided.
Cut out sink hole using preferred method.
- 2 Clean around the edge of benchtop sink hole & perimeter of sink rim.
Position the sink in the cabinet below the benchtop hole. Apply adhesive to the perimeter of sink rim & lift into position.



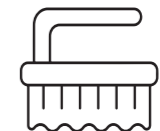
- 3 Lay a piece of timber across the benchtop hole & position in line with sink hole below.
Place clamp through the sink hole & tighten the clamp to hold the sink in place. Wipe away any excess adhesive around benchtop opening.
Note: Use rags to protect surfaces when either the clamp or timber is making contact with the benchtop or sink.
- 4 Depending on material of benchtop mount brackets using either 1. adhesive, or 2. provided screws.
1. Apply adhesive to the mounting bracket & fix it to the underside of the benchtop & sink rim. Repeat brackets at regular intervals. Wipe away any excess adhesive.
2. Screw mounting brackets into benchtop at regular intervals. Mark and predrill holes if required.



Regularly clean with mild liquid detergent or soap and water



DO NOT use cream cleaners or bleach. These substances are abrasive



DO NOT use cleaning pads with abrasive surfaces as this may scratch the material